

**OREGON OCCUPATIONAL
SAFETY AND HEALTH STANDARDS**

Oregon Administrative Rules, Chapter 437

**DIVISION 2 (29 CFR 1910)
GENERAL OCCUPATIONAL SAFETY & HEALTH RULES**



**SUBDIVISION D:
WALKING-WORKING SURFACES
(1910.21 – 1910.32)**

Oregon Occupational Safety and Health Division (OR-OSHA)
Department of Consumer and Business Services
Salem, Oregon 97301-3882

AO 10-1999

WALKING-WORKING SURFACES

D

NOTE: The following rules were adopted by OR-OSHA Admin. Order 4-1990, filed 1/23/90, **EFFEC-TIVE 1/23/90: Subdivision D, Walking-Working Surfaces** (29 CFR 1910.21 through 1910.32), **Subdivision E, Means of Egress** (29 CFR 1910.35 through 1910.40), and **Subdivision F, Powered Platforms, Manlifts, and Vehicle-Mounted Work Platforms** (29 CFR 1910.66 through 1910.70). These rules **superseded** OAR 437, Division 41, Buildings, Structures and Workplaces, Division 88, Ladders and Scaffolds, and specific rules in Division 56, Vehicles (OAR 437-56-005(4) through (12), and 437-56-200 through 437-56-260).

Amendments were made to Subdivisions D and F by OR-OSHA Admin. Order 2-1991, filed 2/4/91, effective 4/1/91.

Amendments were made to Subdivision D by OR-OSHA Admin. Order 6-1994, filed 9/30/94, effective 9/30/94.

Amendments were made to Subdivisions D, E and F by OR-OSHA Admin. Order 4-1997, filed 4/2/97, effective 4/2/97.

NOTE: Amendments were made to Subdivisions D by OR-OSHA Admin. Order 10-1999, filed 9/10/99, effective 9/10/99. Oregon OSHA repealed: OAR 437-002-1910.25, Portable Wood Ladders; 1910.26, Portable Metal Ladders; 1910.27, Fixed Ladders; portions of 1910.21, Definitions; and OAR 437-002-0025, Extension Ladders. In their place, two new rules are added to Division 2/D (general industry/walking-working surfaces): OAR 437-002-0026, Portable Ladders; and, 437-002-0027, Fixed Ladders.

These changes are necessary to update the existing standards, re-organize them into a more understandable sequence, make them compliant with ORS 183.025 that requires us to write standards in "clear language," and to add language covering plastic (reinforced fiberglass) ladders.

We deleted old language that went into great detail about the design and construction of ladders. In its place we added a simple requirement that each type of ladder meet its respective ANSI standard.

Basic use and care requirements are grouped by type of ladder rather than the material from which it is made.

Fixed ladder requirements will change to meet the newest edition of ANSI A-14.3 which changes requirements for landing platforms, cages and climbing safety devices.

Oregon-initiated rules appear in *italics* in this codebook in proximity to related federal rules.

A vertical line in the margin indicates where a substantive correction, amendment/adoption or deletion has been made in the text since last printing.

D

WALKING-WORKING SURFACES

D

TABLE OF CONTENTS

437-002-0020	<i>Adoption by Reference</i>	D-1
1910.21	Definitions	D-3
1910.22	General Requirements	D-9
437-002-0022	<i>Additional Oregon General Requirements</i>	D-10
1910.23	Guarding Floor and Wall Openings and Holes	D-11
1910.24	Fixed Industrial Stairs	D-17
1910.25	Portable Wood Ladders – Repealed.....	D-19
1910.26	Portable Metal Ladders – Repealed	D-19
1910.27	Fixed Ladders – Repealed.....	D-19
437-002-0026	<i>Portable Ladders</i>	D-21
437-002-0027	<i>Fixed Ladders</i>	D-27
1910.28	Safety Requirements for Scaffolding	D-37
437-002-0028	<i>Guardrails and Toeboards</i>	D-37
1910.29	Manually Propelled Mobile Ladder Stands and Scaffolds (Towers).....	D-59
1910.30	Other Working Surfaces.....	D-65
437-002-0030	<i>Floors</i>	D-65
437-002-0031	<i>Provisions for Window Cleaners</i>	D-65
437-002-0032	<i>Ramps and Runways</i>	D-67
437-002-0033	<i>Piers and Wharves</i>	D-67

D

WALKING-WORKING SURFACES

D

OAD 437, DIVISION 2

GENERAL OCCUPATIONAL SAFETY AND HEALTH RULES

SUBDIVISION D – WALKING-WORKING SURFACES

437-002-0020 Adoption by Reference. *In addition to and not in lieu of any other safety and health codes contained in OAR Chapter 437, the Department adopts by reference the following rules as printed in the Code of Federal Regulations, 29 CFR 1910, revised as of 7/1/98, and any subsequent amendments published in the Federal Register as listed below:*

- (1) 29 CFR 1910.21 **Definitions**, published 6/27/74, Federal Register, vol. 39, no. 125, pp. 23505-23508.
- (2) 29 CFR 1910.22 **General Requirements**, published 6/27/74, FR vol. 39, no. 125, p. 23508.
- (3) 29 CFR 1910.23 **Guarding Floor and Wall Openings and Holes**, published 6/27/74, FR vol. 39, no. 125, pp. 23508-23510; amended 10/24/78, FR vol. 43, p. 49744; amended 2/10/84, FR vol. 49, p. 5321.
- (4) 29 CFR 1910.24 **Fixed Industrial Stairs**, published 6/27/74, FR vol. 39, no. 125, pp. 23510-23511; amended 10/24/78, FR vol. 43, p. 49744; amended 2/10/84, FR vol. 49, p. 5321.
- (5) 29 CFR 1910.25 **Portable Wood Ladders**, REPEALED. In Oregon, OAR 437-002-0026 applies.
- (6) 29 CFR 1910.26 **Portable Metal Ladders**, REPEALED. In Oregon, OAR 437-002-0026 applies.
- (7) 29 CFR 1910.27 **Fixed Ladders**, REPEALED. In Oregon, OAR 437-002-0027 applies.
- (8) 29 CFR 1910.28 **Safety Requirements for Scaffolding**, published 6/27/74, FR vol. 39, no. 125, pp. 23522-23529; amended 10/24/78, FR vol. 43, p. 49746; amended 2/10/84, FR vol. 49, p. 5321; amended 4/12/88, FR vol. 53, p. 12121.
- (9) 29 CFR 1910.29 **Manually Propelled Mobile Ladder Stands and Scaffolds (Towers)**, published 6/27/74, FR vol. 39, no. 125, pp. 23529-23530.

D

WALKING-WORKING SURFACES

Oregon Administrative Rules
Oregon Occupational Safety
and Health Division

(10) 29 CFR 1910.30 **Other Working Surfaces**, published 6/27/74, FR vol. 39, no. 125, p. 23530; amended 2/10/84, FR vol. 49, p. 5322; 3/7/96, FR vol. 61, no. 46, p. 9235.

(11) 29 CFR 1910.31 **Source of Standards**, published 6/27/74, FR vol. 39, no. 125, p. 23530; 3/7/96, FR vol. 61, no. 46, p. 9235.

(12) 29 CFR 1910.32 **Standards Organizations**, published 6/27/74, FR vol. 39, no. 125, p. 23530; 3/7/96, FR vol. 61, no. 46, p. 9235.

These standards are available at the Oregon Occupational Safety and Health Division, Oregon Department of Consumer and Business Services, and the United States Government Printing Office.

Stat. Auth.: ORS 654.025(2) and 656.726(3).

Stats. Implemented: ORS 654.001 to 654.295.

Hist: OR-OSHA Admin. Order 4-1990, f. 1/23/90, ef. 1/23/90.

OR-OSHA Admin. Order 2-1991, f. 2/4/91, ef. 4/1/91.

OR-OSHA Admin. Order 4-1997, f. 4/2/97, ef. 4/2/97.

OR-OSHA Admin. Order 10-1999, f. 9/10/99, ef. 9/10/99.

SUBDIVISION D

WALKING-WORKING SURFACES

Authority: Secs. 4, 6 and 8 of the Occupational Safety and Health Act of 1970 (29 U.S.C. 653, 655 and 657); Secretary of Labor's Order No. 12-71 (36 FR 8754), 8-76 (41 FR 25059), 9-83 (48 FR 35736), or 1-90 (55 FR 9033), as applicable; and 29 CFR Part 1911.

§1910.21 Definitions.

(a) As used in §1910.23, unless the context requires otherwise, floor and wall opening, railing and toeboard terms shall have the meanings ascribed in this paragraph.

(1) Floor hole. An opening measuring less than 12 inches but more than 1-inch in its least dimension, in any floor, platform, pavement, or yard, through which materials but not persons may fall; such as a belt hole, pipe opening, or slot opening.

(2) Floor opening. An opening measuring 12 inches or more in its least dimension, in any floor, platform, pavement, or yard through which persons may fall; such as a hatchway, stair or ladder opening, pit, or large manhole. Floor openings occupied by elevators, dumb waiters, conveyors, machinery, or containers are excluded from this subpart.

(3) Handrail. A single bar or pipe supported on brackets from a wall or partition, as on a stairway or ramp, to furnish persons with a handhold in case of tripping.

(4) Platform. A working space for persons, elevated above the surrounding floor or ground; such as a balcony or platform for the operation of machinery and equipment.

(5) Runway. A passageway for persons, elevated above the surrounding floor or ground level, such as a footwalk along shafting or a walkway between buildings.

(6) Standard railing. A vertical barrier erected along exposed edges of a floor opening, wall opening, ramp, platform, or runway to prevent falls of persons.

(7) Standard strength and construction. Any construction of railings, covers, or other guards that meets the requirements of §1910.23.

(8) Stair railing. A vertical barrier erected along exposed sides of a stairway to prevent falls of persons.

(9) Toeboard. A vertical barrier at floor level erected along exposed edges of a floor opening, wall opening, platform, runway, or ramp to prevent falls of materials.

D DEFINITIONS

(10) Wall hole. An opening less than 30 inches but more than 1-inch high, of unrestricted width, in any wall or partition; such as a ventilation hole or drainage scupper.

(11) Wall opening. An opening at least 30 inches high and 18 inches wide, in any wall or partition, through which persons may fall; such as a yard-arm doorway or chute opening.

(b) As used in §1910.24, unless the context requires otherwise, fixed industrial stair terms shall have the meaning ascribed in this paragraph.

(1) Handrail. A single bar or pipe supported on brackets from a wall or partition to provide a continuous handhold for persons using a stair.

(2) Nose, nosing. That portion of a tread projecting beyond the face of the riser immediately below.

(3) Open riser. The air space between the treads of stairways without upright members (risers).

(4) Platform. An extended step or landing breaking a continuous run of stairs.

(5) Railing. A vertical barrier erected along exposed sides of stairways and platforms to prevent falls of persons. The top member of railing usually serves as a handrail.

(6) Rise. The vertical distance from the top of a tread to the top of the next higher tread.

(7) Riser. The upright member of a step situated at the back of a lower tread and near the leading edge of the next higher tread.

(8) Stairs, stairway. A series of steps leading from one level or floor to another, or leading to platforms, pits, boiler rooms, crossovers, or around machinery, tanks, and other equipment that are used more or less continuously or routinely by employees, or only occasionally by specific individuals. A series of steps and landings having three or more risers constitutes stairs or stairway.

(9) Tread. The horizontal member of a step.

(10) Tread run. The horizontal distance from the leading edge of a tread to the leading edge of an adjacent tread.

(11) Tread width. The horizontal distance from front to back of tread including nosing when used.

NOTE: 1910.21(c) through (e) were repealed by OR-OSHA Admin. Order 10-1999, filed and effective 9/10/99. In Oregon, OAR 437-002-0026 applies to Portable Ladders, and 437-002-0027 applies to Fixed Ladders.

(f) As used in §1910.28, unless the context requires otherwise, scaffolding terms shall have the meaning ascribed in this paragraph.

(1) Bearer. A horizontal member of a scaffold upon which the platform rests and which may be supported by ledgers.

(2) Boatswain's chair. A seat supported by slings attached to a suspended rope, designed to accommodate one workman in a sitting position.

(3) Brace. A tie that holds one scaffold member in a fixed position with respect to another member.

(4) Bricklayers' square scaffold. A scaffold composed of framed wood squares which support a platform limited to light and medium duty.

(5) Carpenters' bracket scaffold. A scaffold consisting of wood or metal brackets supporting a platform.

(6) Coupler. A device for locking together the component parts of a tubular metal scaffold. The material used for the couplers shall be of a structural type, such as a drop-forged steel, malleable iron, or structural grade aluminum. The use of gray cast iron is prohibited.

(7) Crawling board or chicken ladder. A plank with cleats spaced and secured at equal intervals, for use by a worker on roofs, not designed to carry any material.

(8) Double pole or independent pole scaffold. A scaffold supported from the base by a double row of uprights, independent of support from the walls and constructed of uprights, ledgers, horizontal platform bearers, and diagonal bracing.

(9) Float or ship scaffold. A scaffold hung from overhead supports by means of ropes and consisting of a substantial platform having diagonal bracing underneath, resting upon and securely fastened to two parallel plank bearers at right angles to the span.

(10) Guardrail. A rail secured to uprights and erected along the exposed sides and ends of platforms.

(11) Heavy duty scaffold. A scaffold designed and constructed to carry a working load not to exceed 75 pounds per square foot.

(12) Horse scaffold. A scaffold for light or medium duty, composed of horses supporting a work platform.

(13) Interior hung scaffold. A scaffold suspended from the ceiling or roof structure.

(14) Ladder jack scaffold. A light duty scaffold supported by brackets attached to ladders.

D

DEFINITIONS

(15) Ledger (stringer). A horizontal scaffold member which extends from post to post and which supports the putlogs or bearer forming a tie between the posts.

(16) Light duty scaffold. A scaffold designed and constructed to carry a working load not to exceed 25 pounds per square foot.

(17) Manually propelled mobile scaffold. A portable rolling scaffold supported by casters.

(18) Masons' adjustable multiple-point suspension scaffold. A scaffold having a continuous platform supported by bearers suspended by wire rope from overhead supports, so arranged and operated as to permit the raising or lowering of the platform to desired working positions.

(19) Maximum intended load. The total of all loads including the working load, the weight of the scaffold, and such other loads as may be reasonably anticipated.

(20) Medium duty scaffold. A scaffold designed and constructed to carry a working load not to exceed 50 pounds per square foot.

(21) Midrail. A rail approximately midway between the guardrail and platform, used when required, and secured to the uprights erected along the exposed sides and ends of platforms.

(22) Needle beam scaffold. A light duty scaffold consisting of needle beams supporting a platform.

(23) Outrigger scaffold. A scaffold supported by outriggers or thrustouts projecting beyond the wall or face of the building or structure, the inboard ends of which are secured inside of such a building or structure.

(24) Putlog. A scaffold member upon which the platform rests.

(25) Roofing bracket. A bracket used in sloped roof construction, having provisions for fastening to the roof or supported by ropes fastened over the ridge and secured to some suitable object.

(26) Runner. The lengthwise horizontal bracing or bearing members or both.

(27) Scaffold. Any temporary elevated platform and its supporting structure used for supporting workmen or materials or both.

(28) Single-point adjustable suspension scaffold. A manually or power-operated unit designed for light duty use, supported by a single wire rope from an overhead support so arranged and operated as to permit the raising or lowering of the platform to desired working positions.

(29) Single pole scaffold. Platforms resting on putlogs or crossbeams, the outside ends of which are supported on ledgers secured to a single row of posts or uprights and the inner ends of which are supported on or in a wall.

(30) Stone setters' adjustable multiple-point suspension scaffold. A swinging-type scaffold having a platform supported by hangers suspended at four points so as to permit the raising or lowering of the platform to the desired working position by the use of hoisting machines.

(31) Toeboard. A barrier secured along the sides and ends of a platform, to guard against the falling of material.

(32) Tube and coupler scaffold. An assembly consisting of tubing which serves as posts, bearers, braces, ties, and runners, a base supporting the posts, and special couplers which serve to connect the uprights and to join the various members.

(33) Tubular welded frame scaffold. A sectional, panel, or frame metal scaffold substantially built up of prefabricated welded sections which consist of posts and horizontal bearer with intermediate members. Panels or frames shall be braced with diagonal or cross braces.

(34) Two-point suspension scaffold (swinging scaffold). A scaffold, the platform of which is supported by hangers (stirrups) at two points, suspended from overhead supports so as to permit the raising or lowering of the platform to the desired working position by tackle or hoisting machines.

(35) Window jack scaffold. A scaffold, the platform of which is supported by a bracket or jack which projects through a window opening.

(36) Working load. Load imposed by men, materials, and equipment.

(g) As used in §1910.29, unless the context requires otherwise, manually propelled mobile ladder stand and scaffold (tower) terms shall have the meaning ascribed in this paragraph.

(1) Bearer. A horizontal member of a scaffold upon which the platform rests and which may be supported by ledgers.

(2) Brace. A tie that holds one scaffold member in a fixed position with respect to another member.

(3) Climbing ladder. A separate ladder with equally spaced rungs usually attached to the scaffold structure for climbing and descending.

(4) Coupler. A device for locking together the components of a tubular metal scaffold which shall be designed and used to safely support the maximum intended loads.

(5) Design working load. The maximum intended load, being the total of all loads including the weight of the men, materials, equipment, and platform.

D

DEFINITIONS

- (6) Equivalent.** Alternative design or features, which will provide an equal degree or factor of safety.
- (7) Guardrail.** A barrier secured to uprights and erected along the exposed sides and ends of platforms to prevent falls of persons.
- (8) Handrail.** A rail connected to a ladder stand running parallel to the slope and/or top step.
- (9) Ladder stand.** A mobile fixed size self-supporting ladder consisting of a wide flat tread ladder in the form of stairs. The assembly may include handrails.
- (10) Ledger (stringer).** A horizontal scaffold member which extends from post to post and which supports the bearer forming a tie between the posts.
- (11) Mobile scaffold (tower).** A light, medium, or heavy duty scaffold mounted on casters or wheels.
- (12) Mobile.** Manually propelled.
- (13) Mobile work platform.** Generally a fixed work level one frame high on casters or wheels, with bracing diagonally from platform to vertical frame.
- (14) Runner.** The lengthwise horizontal bracing and/or bearing members.
- (15) Scaffold.** Any temporary elevated platform and its necessary vertical, diagonal, and horizontal members used for supporting workmen and materials. (Also known as a scaffold tower.)
- (16) Toeboard.** A barrier at platform level erected along the exposed sides and ends of a scaffold platform to prevent falls of materials.
- (17) Tube and coupler scaffold.** An assembly consisting of tubing which serves as posts, bearers, braces, ties, and runners, a base supporting the posts, and uprights, and serves to join the various members, usually used in fixed locations.
- (18) Tubular welded frame scaffold.** A sectional, panel, or frame metal scaffold substantially built up of prefabricated welded sections, which consist of posts and bearers with intermediate connecting members and braced with diagonal or cross braces.
- (19) Tubular welded sectional folding scaffold.** A sectional, folding metal scaffold either of ladder frame or inside stairway design, substantially built of prefabricated welded sections, which consist of end frames, platform frame, inside inclined stairway frame and braces, or hinged connected diagonal and horizontal braces, capable of being folded into a flat package when the scaffold is not in use.

DEFINITIONS / GENERAL REQUIREMENTS

D

(20) Work level. The elevated platform, used for supporting workmen and their materials, comprising the necessary vertical, horizontal, and diagonal braces, guardrails, and ladder for access to the work platform.

Stat. Auth.: ORS 654.025(2) and 656.726(3).

Stats. Implemented: ORS 654.001 through 654.295.

Hist: OR-OSHA Admin. Order 4-1990, f. 1/23/90, ef. 1/23/90.

OR-OSHA Admin. Order 10-1999, f. 9/10/99, ef. 9/10/99.

§1910.22 General Requirements.

This section applies to all permanent places of employment, except where domestic, mining, or agricultural work only is performed. Measures for the control of toxic materials are considered to be outside the scope of this section.

(a) Housekeeping.

(1) All places of employment, passageways, storerooms, and service rooms shall be kept clean and orderly and in a sanitary condition.

(2) The floor of every workroom shall be maintained in a clean and, so far as possible, a dry condition. Where wet processes are used, drainage shall be maintained, and false floors, platforms, mats, or other dry standing places should be provided where practicable.

(3) To facilitate cleaning, every floor, working place, and passageway shall be kept free from protruding nails, splinters, holes, or loose boards.

(b) Aisles and passageways.

(1) Where mechanical handling equipment is used, sufficient safe clearances shall be allowed for aisles, at loading docks, through doorways and wherever turns or passage must be made. Aisles and passageways shall be kept clear and in good repairs, with no obstruction across or in aisles that could create a hazard.

(2) Permanent aisles and passageways shall be appropriately marked.

(c) Covers and guardrails. Covers and/or guardrails shall be provided to protect personnel from the hazards of open pits, tanks, vats, ditches, etc.

(d) Floor loading protection.

(1) In every building or other structure, or part thereof, used for mercantile, business, industrial, or storage purposes, the loads approved by the building official shall be marked on plates of approved design which shall be supplied and securely affixed by the owner of the building, or his duly authorized agent, in a conspicuous place in each space to which they relate. Such plates shall not be removed or defaced but, if lost, removed, or defaced, shall be replaced by the owner or his agent.

D

GENERAL REQUIREMENTS / ADDITIONAL OREGON GENERAL REQUIREMENTS

Oregon Administrative Rules
Oregon Occupational Safety
and Health Division

(2) It shall be unlawful to place, or cause, or permit to be placed, on any floor or roof of a building or other structure a load greater than that for which such floor or roof is approved by the building official.

Stat. Auth.: ORS 654.025(2) and 656.726(3).
Hist: OR-OSHA Admin. Order 4-1990, f. 1/23/90, ef. 1/23/90.

437-002-0022 Additional Oregon General Requirements.

(1) Barriers.

(a) Protective barriers or suitable guards shall be erected when covers over openings are removed or excavations made in places accessible to vehicular or pedestrian traffic. Warning lights or flares shall be displayed if work is being done at night. These protective measures shall be maintained until permanent or adequate covers or barricades are in place or the hazard removed.

(b) A watchperson shall be stationed where temporary conditions do not permit safeguarding of employees through the use of warning signs, lights, protective barriers, or covers.

(2) Plant Arrangement.

(a) Provisions for safety (such as adequate work and storage space for the full needs of raw, in-process, and finished materials, and for machinery, equipment and operations) shall be included in plant design, layout, and operation.

(b) A vertical clearance of not less than 6 1/2 feet shall be provided over work areas. Where it is otherwise impractical to secure adequate head room, overhead obstructions may be padded or may be indicated by means of contrasting paint, telltales, or similar means, if such means will furnish adequate protection.

(c) Work platforms provided shall be of sufficient width to provide a safe working space.

NOTE: 437-002-0046 was repositioned here to become 437-002-0022(3) because it was incorrectly placed under the heading of "Means of Egress."

(3) Aisles, Passageways, Walkways, Inclines.

(a) Aisles, passageways, and walkways shall be of adequate width for their intended or actual use, and in no event shall they be less than 22 inches wide. Passageways which are elevated more than 4 feet above the ground or floor level shall be provided with standard railings.

(b) Walkways or passageways equipped with standard handrails shall be provided for oilers and other workers who are regularly required to go to elevated or other hazardous locations. Whenever space will permit, they shall be not less than 22 inches wide.

ADDITIONAL OREGON GENERAL REQUIREMENTS / GUARDING FLOOR & WALL OPENINGS & HOLES

D

(c)

(A) Fixed inclined walkways shall be not less than 22 inches wide, equipped with hand-rails on each open side, inclined at no greater angle than 24 degrees, and they shall be securely fastened at the top and bottom.

(B) Moveable inclined walkways which extend to floats or floating equipment (except to vessels under Federal jurisdiction) shall be not less than 20 inches wide, and shall be secured at the upper end only with clear space provided for the lower end to adjust automatically with the heights of water.

(d) An adequate antislip surface shall be applied to inclined walkways whenever the gradient so warrants. Adequate cleats secured at uniform intervals not to exceed 18 inches, and extending the full width of the walkway when practical, may be used for this purpose.

(e) Inclines extending from floor to floor which are used instead of stairways shall have standard railings in accordance with the requirements for stairways.

(f) Aisles, passageways, walkways, and inclines shall be kept in good repair and shall be free of holes, unevenness, loose boards, protruding nails, or any other unnecessary obstructions or debris.

Stat. Auth.: ORS 654.025(2) and 656.726(3).

Hist: WCB No. 1-1967, f. 1/12/67, ef. 1/15/67.

OR-OSHA Admin. Order 4-1990, f. 1/23/90, ef. 1/23/90.

OR-OSHA Admin. Order 6-1994, f. 9/30/94, ef. 9/30/94.

§1910.23 Guarding Floor and Wall Openings and Holes.

(a) Protection for floor openings.

(1) Every stairway floor opening shall be guarded by a standard railing constructed in accordance with paragraph (e) of this section. The railing shall be provided on all exposed sides (except at entrance to stairway). For infrequently used stairways where traffic across the opening prevents the use of fixed standard railing (as when located in aisle spaces, etc.), the guard shall consist of a hinged floor opening cover of standard strength and construction and removable standard railings on all exposed sides (except at entrance to stairway).

(2) Every ladderway floor opening or platform shall be guarded by a standard railing with standard toeboard on all exposed sides (except at entrance to opening), with the passage through the railing either provided with a swinging gate or so offset that a person cannot walk directly into the opening.

(3) Every hatchway and chute floor opening shall be guarded by one of the following:

D

GUARDING FLOOR & WALL OPENINGS & HOLES

(i) Hinged floor opening cover of standard strength and construction equipped with standard railings or permanently attached thereto so as to leave only one exposed side. When the opening is not in use, the cover shall be closed or the exposed side shall be guarded at both top and intermediate positions by removable standard railings.

(ii) A removable railing with toeboard on not more than two sides of the opening and fixed standard railings with toeboards on all other exposed sides. The removable railings shall be kept in place when the opening is not in use.

Where operating conditions necessitate the feeding of material into any hatchway or chute opening, protection shall be provided to prevent a person from falling through the opening.

(4) Every skylight floor opening and hole shall be guarded by a standard skylight screen or a fixed standard railing on all exposed sides.

(5) Every pit and trapdoor floor opening, infrequently used, shall be guarded by a floor opening cover of standard strength and construction. While the cover is not in place, the pit or trap opening shall be constantly attended by someone or shall be protected on all exposed sides by removable standard railings.

(6) Every manhole floor opening shall be guarded by a standard manhole cover which need not be hinged in place. While the cover is not in place, the manhole opening shall be constantly attended by someone or shall be protected by removable standard railings.

(7) Every temporary floor opening shall have standard railings, or shall be constantly attended by someone.

(8) Every floor hole into which persons can accidentally walk shall be guarded by either:

(i) A standard railing with standard toeboard on all exposed sides, or

(ii) A floor hole cover of standard strength and construction. While the cover is not in place, the floor hole shall be constantly attended by someone or shall be protected by a removable standard railing.

(9) Every floor hole into which persons cannot accidentally walk (on account of fixed machinery, equipment, or walls) shall be protected by a cover that leaves no openings more than 1-inch wide. The cover shall be securely held in place to prevent tools or materials from falling through.

(10) Where doors or gates open directly on a stairway, a platform shall be provided, and the swing of the door shall not reduce the effective width to less than 20 inches.

GUARDING FLOOR & WALL OPENINGS & HOLES

D

(b) Protection for wall openings and holes.

(1) Every wall opening from which there is a drop of more than 4 feet shall be guarded by one of the following:

(i) Rail, roller, picket fence, half door, or equivalent barrier. Where there is exposure below to falling materials, a removable toeboard or the equivalent shall also be provided. When the opening is not in use for handling materials, the guard shall be kept in position regardless of a door on the opening. In addition, a grab handle shall be provided on each side of the opening with its center approximately 4 feet above floor level and of standard strength and mounting.

(ii) Extension platform onto which materials can be hoisted for handling, and which shall have side rails or equivalent guards of standard specifications.

(2) Every chute wall opening from which there is a drop of more than 4 feet shall be guarded by one or more of the barriers specified in paragraph (b)(1) of this section or as required by the conditions.

(3) Every window wall opening at a stairway landing, floor, platform, or balcony, from which there is a drop of more than 4 feet, and where the bottom of the opening is less than 3 feet above the platform or landing, shall be guarded by standard slats, standard grill work (as specified in paragraph (e)(11) of this section), or standard railing.

Where the window opening is below the landing, or platform, a standard toeboard shall be provided.

(4) Every temporary wall opening shall have adequate guards but these need not be of standard construction.

(5) Where there is a hazard of materials falling through a wall hole, and the lower edge of the near side of the hole is less than 4 inches above the floor, and the far side of the hole more than 5 feet above the next lower level, the hole shall be protected by a standard toeboard, or an enclosing screen either of solid construction, or as specified in paragraph (e)(11) of this section.

(c) Protection of open-sided floors, platforms, and runways.

(1) Every open-sided floor or platform 4 feet or more above adjacent floor or ground level shall be guarded by a standard railing (or the equivalent as specified in paragraph (e)(3) of this section) on all open sides except where there is entrance to a ramp, stairway, or fixed ladder. The railing shall be provided with a toeboard wherever, beneath the open sides:

(i) Persons can pass,

(ii) There is moving machinery, or

D

GUARDING FLOOR & WALL OPENINGS & HOLES

(iii) There is equipment with which falling materials could create a hazard.

(2) Every runway shall be guarded by a standard railing (or the equivalent as specified in paragraph (e)(3) of this section) on all open sides 4 feet or more above floor or ground level. Wherever tools, machine parts, or materials are likely to be used on the runway, a toeboard shall also be provided on each exposed side.

Runways used exclusively for special purposes (such as oiling, shafting, or filling tank cars) may have the railing on one side omitted where operating conditions necessitate such omission, providing the falling hazard is minimized by using a runway of not less than 18 inches wide. Where persons entering upon runways become thereby exposed to machinery, electrical equipment, or other danger not a falling hazard, additional guarding than is here specified may be essential for protection.

(3) Regardless of height, open-sided floors, walkways, platforms, or runways above or adjacent to dangerous equipment, pickling or galvanizing tanks, degreasing units, and similar hazards shall be guarded with a standard railing and toeboard.

(d) Stairway railings and guards.

(1) Every flight of stairs having four or more risers shall be equipped with standard stair railings or standard handrails as specified in paragraphs (d)(1)(i) through (v) of this section, the width of the stair to be measured clear of all obstructions except handrails:

(i) On stairways less than 44 inches wide having both sides enclosed, at least one handrail, preferably on the right side descending.

(ii) On stairways less than 44 inches wide having one side open, at least one stair railing on open side.

(iii) On stairways less than 44 inches wide having both sides open, one stair railing on each side.

(iv) On stairways more than 44 inches wide but less than 88 inches wide, one handrail on each enclosed side and one stair railing on each open side.

(v) On stairways 88 or more inches wide, one handrail on each enclosed side, one stair railing on each open side, and one intermediate stair railing located approximately midway of the width.

(2) Winding stairs shall be equipped with a handrail offset to prevent walking on all portions of the treads having width less than 6 inches.

GUARDING FLOOR & WALL OPENINGS & HOLES

D

(e) Railing, toeboards, and cover specifications.

(1) A standard railing shall consist of top rail, intermediate rail, and posts, and shall have a vertical height of 42 inches nominal from upper surface of top rail to floor, platform, runway, or ramp level. The top rail shall be smooth-surfaced throughout the length of the railing. The intermediate rail shall be approximately halfway between the top rail and the floor, platform, runway, or ramp. The ends of the rails shall not overhang the terminal posts except where such overhang does not constitute a projection hazard.

(2) A stair railing shall be of construction similar to a standard railing but the vertical height shall be not more than 34 inches nor less than 30 inches from upper surface of top rail to surface of tread in line with face of riser at forward edge of tread.

(3) (Reserved)

(i) For wood railings, the posts shall be of at least 2-inch by 4-inch stock spaced not to exceed 6 feet; the top and intermediate rails shall be of at least 2-inch by 4-inch stock. If top rail is made of two right-angle pieces of 1-inch by 4-inch stock, posts may be spaced on 8-foot centers, with 2-inch by 4-inch intermediate rail.

(ii) For pipe railings, posts and top and intermediate railings shall be at least 1 1/2 inches nominal diameter with posts spaced not more than 8 feet on centers.

(iii) For structural steel railings, posts and top and intermediate rails shall be of 2-inch by 2-inch by 3/8-inch angles or other metal shapes of equivalent bending strength with posts spaced not more than 8 feet on centers.

(iv) The anchoring of posts and framing of members for railings of all types shall be of such construction that the completed structure shall be capable of withstanding a load of at least 200 pounds applied in any direction at any point on the top rail.

(v) Other types, sizes, and arrangements of railing construction are acceptable provided they meet the following conditions:

(A) A smooth-surfaced top rail at a height above floor, platform, runway, or ramp level of 42 inches nominal;

(B) A strength to withstand at least the minimum requirement of 200 pounds top rail pressure;

(C) Protection between top rail and floor, platform, runway, ramp, or stair treads, equivalent at least to that afforded by a standard intermediate rail;

(4) A standard toeboard shall be 4 inches nominal in vertical height from its top edge to the level of the floor, platform, runway, or ramp. It shall be securely fastened in place and with not more than 1/4-inch clearance above floor level. It may be made of any substantial material either solid or with openings not over 1-inch in greatest dimension.

D

GUARDING FLOOR & WALL OPENINGS & HOLES

Where material is piled to such height that a standard toeboard does not provide protection, paneling from floor to intermediate rail, or to top rail shall be provided.

(5)

(i) A handrail shall consist of a lengthwise member mounted directly on a wall or partition by means of brackets attached to the lower side of the handrail so as to offer no obstruction to a smooth surface along the top and both sides of the handrail. The handrail shall be of rounded or other section that will furnish an adequate handhold for anyone grasping it to avoid falling. The ends of the handrail should be turned in to the supporting wall or otherwise arranged so as not to constitute a projection hazard.

(ii) The height of handrails shall be not more than 34 inches nor less than 30 inches from upper surface of handrail to surface of tread in line with face of riser or to surface of ramp.

(iii) The size of handrails shall be: When of hardwood, at least 2 inches in diameter; when of metal pipe, at least 1 1/2 inches in diameter. The length of brackets shall be such as will give a clearance between handrail and wall or any projection thereon of at least 3 inches. The spacing of brackets shall not exceed 8 feet.

(iv) The mounting of handrails shall be such that the completed structure is capable of withstanding a load of at least 200 pounds applied in any direction at any point on the rail.

(6) All handrails and railings shall be provided with a clearance of not less than 3 inches between the handrail or railing and any other object.

(7) Floor opening covers may be of any material that meets the following strength requirements:

(i) Trench or conduit covers and their supports, when located in plant roadways, shall be designed to carry a truck rear-axle load of at least 20,000 pounds.

(ii) Manhole covers and their supports, when located in plant roadways, shall comply with local standard highway requirements if any; otherwise, they shall be designed to carry a truck rear-axle load of at least 20,000 pounds.

(iii) The construction of floor opening covers may be of any material that meets the strength requirements. Covers projecting not more than 1-inch above the floor level may be used providing all edges are chamfered to an angle with the horizontal of not over 30 degrees. All hinges, handles, bolts, or other parts shall set flush with the floor or cover surface.

GUARDING FLOOR & WALL OPENINGS & HOLES / FIXED INDUSTRIAL STAIRS

D

(8) Skylight screens shall be of such construction and mounting that they are capable of withstanding a load of at least 200 pounds applied perpendicularly at any one area on the screen. They shall also be of such construction and mounting that under ordinary loads or impacts, they will not deflect downward sufficiently to break the glass below them. The construction shall be of grillwork with openings not more than 4 inches long or of slatwork with openings not more than 2 inches wide with length unrestricted.

(9) Wall opening barriers (rails, rollers, picket fences, and half doors) shall be of such construction and mounting that, when in place at the opening, the barrier is capable of withstanding a load of at least 200 pounds applied in any direction (except upward) at any point on the top rail or corresponding member.

(10) Wall opening grab handles shall be not less than 12 inches in length and shall be so mounted as to give 3 inches clearance from the side framing of the wall opening. The size, material, and anchoring of the grab handle shall be such that the completed structure is capable of withstanding a load of at least 200 pounds applied in any direction at any point of the handle.

(11) Wall opening screens shall be of such construction and mounting that they are capable of withstanding a load of at least 200 pounds applied horizontally at any point on the near side of the screen. They may be of solid construction, of grillwork with openings not more than 8 inches long, or of slatwork with openings not more than 4 inches wide with length unrestricted.

(39 FR 23502, June 27, 1974, as amended at 43 FR 49744, Oct. 24, 1978; 49 FR 5321, Feb. 10, 1984)

Stat. Auth.: ORS 654.025(2) and 656.726(3).

Hist: OR-OSHA Admin. Order 4-1990, f. 1/23/90, ef. 1/23/90.

§1910.24 Fixed Industrial Stairs.

(a) Application of requirements. This section contains specifications for the safe design and construction of fixed general industrial stairs. This classification includes interior and exterior stairs around machinery, tanks, and other equipment, and stairs leading to or from floors, platforms, or pits. This section does not apply to stairs used for fire exit purposes, to construction operations to private residences, or to articulated stairs, such as may be installed on floating roof tanks or on dock facilities, the angle of which changes with the rise and fall of the base support.

D FIXED INDUSTRIAL STAIRS

(b) Where fixed stairs are required. Fixed stairs shall be provided for access from one structure level to another where operations necessitate regular travel between levels, and for access to operating platforms at any equipment which requires attention routinely during operations. Fixed stairs shall also be provided where access to elevations is daily or at each shift for such purposes as gauging, inspection, regular maintenance, etc., where such work may expose employees to acids, caustics, gases, or other harmful substances, or for which purposes the carrying of tools or equipment by hand is normally required. (It is not the intent of this section to preclude the use of fixed ladders for access to elevated tanks, towers, and similar structures, overhead traveling cranes, etc., where the use of fixed ladders is common practice.) Spiral stairways shall not be permitted except for special limited usage and secondary access situations where it is not practical to provide a conventional stairway. Winding stairways may be installed on tanks and similar round structures where the diameter of the structure is not less than 5 feet.

(c) Stair strength. Fixed stairways shall be designed and constructed to carry a load of five times the normal live load anticipated but never of less strength than to carry safely a moving concentrated load of 1,000 pounds.

(d) Stair width. Fixed stairways shall have a minimum width of 22 inches.

(e) Angle of stairway rise. Fixed stairs shall be installed at angles to the horizontal of between 30 degrees and 50 degrees. Any uniform combination of rise/tread dimensions may be used that will result in a stairway at an angle to the horizontal within the permissible range. Table D-1 gives rise/tread dimensions which will produce a stairway within the permissible range, stating the angle to the horizontal produced by each combination. However, the rise/tread combinations are not limited to those given in Table D-1.

Angle to horizontal	Rise (in inches)	Tread run (in inches)	Angle to horizontal	Rise (in inches)	Tread run (in inches)
30°35'	6 1/2	11	41°44'	8 1/4	9 1/4
32°08'	6 3/4	10 3/4	43°22'	8 1/2	9
33°41'	7	10 1/2	45°00'	8 3/4	8 3/4
35°16'	7 1/4	10 1/4	46°38'	9	8 1/2
36°52'	7 1/2	10	48°16'	9 1/4	8 1/4
38°29'	7 3/4	9 3/4	49°54'	9 1/2	8
40°08'	8	9 1/2			

(f) Stair treads. All treads shall be reasonably slip-resistant and the nosings shall be of nonslip finish. Welded bar grating treads without nosings are acceptable providing the leading edge can be readily identified by personnel descending the stairway and provided the tread is serrated or is of definite nonslip design. Rise height and tread width shall be uniform throughout any flight of stairs including any foundation structure used as one or more treads of the stairs.

(g) Stairway platforms. Stairway platforms shall be no less than the width of a stairway and a minimum of 30 inches in length measured in the direction of travel.

(h) Railings and handrails. Standard railings shall be provided on the open sides of all exposed stairways and stair platforms. Handrails shall be provided on at least one side of closed stairways preferably on the right side descending. Stair railings and handrails shall be installed in accordance with the provisions of §1910.23.

(i) Vertical clearance. Vertical clearance above any stair tread to an overhead obstruction shall be at least 7 feet measured from the leading edge of the tread.

(39 FR 23502, June 27, 1974, as amended at 43 FR 49744, Oct. 24, 1978; 49 FR 5321, Feb. 10, 1984)

Stat. Auth.: ORS 654.025(2) and 656.726(3).
Hist: OR-OSHA Admin. Order 4-1990, f. 1/23/90, ef. 1/23/90.

§1910.25 Portable Wood Ladders – Repealed.

In Oregon, OAR 437-002-0026 applies.

§1910.26 Portable Metal Ladders – Repealed.

In Oregon, OAR 437-002-0026 applies.

§1910.27 Fixed Ladders – Repealed.

In Oregon, OAR 437-002-0027 applies.

D

437-002-0026 Portable Ladders.

(1) *Definitions.* Portable ladder terms mean:

Check. A lengthwise separation of the wood, most of which occurs across the rings of annual growth.

Compression failure. A deformation (buckling) of the fibers due to excessive compression along the grain.

Decay. Disintegration of wood substance due to action of wood-destroying fungi. It is also known as *dote* and *rot*.

Extension ladder. A nonself-supporting portable ladder of adjustable length. It has two or more sections that adjust to varied lengths.

Extension trestle ladder. An adjustable, self-supporting portable ladder made of a trestle ladder base and a vertical extension section.

Ladder. A device with steps, rungs or cleats between rails, for people to climb up or down.

Low density wood. Exceptionally light in weight and usually deficient in strength for the species.

Platform. A landing surface for working or standing.

Platform ladder. A fixed length, self-supporting portable ladder with a platform at the highest permissible standing level.

Reinforced Plastic. A plastic made stronger than its base by the addition of high strength fillers, usually fibers, fabrics or mats.

Section.

Bottom or base section. The lowest section of a nonself-supporting portable ladder.

Middle or intermediate section. The section(s) between the top (fly) and bottom (base) sections of a nonself-supporting portable ladder.

Top or fly section. The uppermost section of a nonself-supporting portable ladder.

Sectional ladder. A nonself-supporting, fixed length, portable ladder, with two or more sections of ladder that may combine to work as a single ladder. Its size is the length of the assembled sections.

Shake. A separation along the grain, most of which occurs between the rings of annual growth.

Single Section Ladder. A fixed length, nonself-supporting portable ladder made of one section.

Stepladder. *A fixed length, self-supporting portable ladder with a hinged back.*

Top Cap. *The very top part of a stepladder.*

Top Step. *The first step below the top cap of a stepladder. If the ladder has no top cap, the top step is the first one below the top of the rails.*

Trestle ladder. *A fixed length, self-supporting portable ladder made of two sections and hinged at the top. It can be climbed by two people at once, one per side.*

Wane. *Bark, or the lack of wood from any cause, on the corner of a piece.*

Wood irregularities. *Natural characteristics in or on wood that may lower its durability, strength, or utility.*

Working Load Rating. *The maximum load authorized by the manufacturer for the ladder.*

(2) Application. *This standard covers the selection, use and care of portable ladders. It does not cover orchard ladders, special ladders, combination step and extension ladders, aisle way step ladders, and shelf ladders.*

(3) Ladder selection. *Portable reinforced plastic (fiberglass) ladders must comply with American National Standard A14.5-1992. Wood ladders must comply with American National Standard A14.1-1994. Metal ladders must comply with American National Standard A14.2-1990.*

Unaltered and properly maintained ladders that meet the ANSI standard in effect at the time of their manufacture comply with this standard as do ladders that comply with newer versions of the particular ANSI standard.

(4) Condition of wood ladders. *There must be no sharp edges or splinters on wood parts. Visual inspection must show no check, shake, wane, compression failures, decay, or other wood irregularities. Ladders may not be made of low density wood.*

(5) General requirements – all ladders.

(a) *Step spacing must be uniform and not more than 12 inches. Steps must be parallel and level when the ladder is in the normal use position.*

(b) *All joints, attachments and working parts of ladders must be tight and not worn to a point that causes a hazard. Do not use ladders with damaged or bent parts.*

(c) *Replace frayed or badly worn rope.*

(d) *Safety feet and other auxiliary equipment must in good condition.*

(e) *Inspect ladders and remove from use any with defects. Ladders awaiting repair must be tagged, “Dangerous, Do Not Use.”*

(f) There can be no dents, breaks or bends in the side rails or rungs;

(g) Do not make ladders by fastening cleats across a single rail.

(h) Portable ladders must have nonslip bases.

(6) General requirements – portable stepladders.

(a) The minimum width between side rails at the top, inside to inside, must be not less than 11 1/2 inches. From top to bottom, the side rails must spread at least 1-inch for each foot of length of the stepladder.

(b) The bottoms of the four rails must have insulating nonslip material.

(c) There must be a metal spreader or locking device strong enough to hold the ladder open. The spreader must have no sharp points or edges. For Type III ladders, the pail shelf and spreader can be one unit (a shelf-lock ladder).

(7) Use – all ladders. Use ladders only for purposes approved or recommended by the manufacturer.

(a) Do not load ladders beyond their working load rating.

(b) Do not use ladders in front of doors that open toward the ladder without blocking, locking or guarding the door.

(c) Do not use ladders placed on boxes, barrels, or other unstable bases to obtain additional height.

(d) Do not use ladders with broken or missing steps, rungs, or cleats, broken side rails, or other faulty parts.

(e) Do not splice sections of short ladders together to make a long one.

(f) When used, metal reinforcers must be on the underside of rails of portable rung ladders.

(g) A ladder for access to a roof must extend at least 3 feet above the top support point, at the eave, gutter, or roof line.

(h) Secure ladders as necessary when used on surfaces that may allow slipping or movement. Use one of the following methods:

(A) nonslip bases on the ladder feet; or,

(B) steel points or safety shoes on the ladder feet, designed for the type of surface the ladder is on; or

(C) nail the ladder to the floor, or set it against secured blocks or chocks.

D

PORTABLE LADDERS

NOTE: Nonslip bases are not a substitute for care in safely placing, lashing, or holding a ladder on oily, metal, concrete, or slippery surfaces.

- (i) Use portable ladders only on a surface that gives stable, level footing.
- (j) The climber must face the ladder and have free use of both hands when climbing up or down.
- (k) Do not step or jump between erected ladders.
- (l) There must be only one person at a time on a ladder unless its labeling specifically allows use by more than one person.
- (m) Do not use ladders as planks or bridges between walking surfaces or in other horizontal applications.
- (n) Do not use ladders to gain additional height from elevated surfaces like scaffolds, truck beds, vehicle bodies, tractor scoops or boom truck buckets.
- (o) When working on or near electric circuits or energized lines, comply with OAR 437-002-1910.333(c).
- (p) Unless the ladder has a single support attachment, the tops of both rails must contact an adequate support surface.
- (q) Do not use ladders for any purpose not intended by the manufacturer nor as a brace, skid, guy or anchor point.

(8) Use of specific types of ladders.

- (a) **Portable stepladders.** Do not use stepladders more than 20 feet long.
 - (A) Do not climb on the back section of the ladder unless it has steps meant for climbing. Do not stand on the top step or top cap of stepladders.
 - (B) There must be only one person at a time on the ladder.
 - (C) Do not use stepladders in freestanding positions when not fully opened. Do not use them as supports for working platforms or scaffolding planks.
- (b) **Portable rung ladders.**
 - (A) Single ladder.
 - (i) Do not use single ladders more than 30 feet long.
 - (ii) Place these ladders at an angle shown in Figure 1.

(iii) The tops must be tied down or secured if there is a possibility of sliding or movement.

(iv) Single ladders are acceptable as fixed ladders only when they comply with 437-002-0027.

(B) Two-section ladder.

(i) Do not use two-section extension ladders more than 60 feet long. All ladders of this type must have two sections, one to fit within the side rails of the other, and arranged so that the upper section will raise and lower.

(ii) Set up and use extension ladders so that the top section or fly is resting on the bottom section or base. Rung locks must be in the proper position.

(iii) Place these ladders at an angle shown in Figure 1.

(iv) The tops must be tied down or secured if there is a possibility of sliding or movement.

(v) On two-section extension ladders the minimum overlap for the two sections in use must be as follows:

Size of Ladder (feet)	Overlap (feet)
Up to and including 36	3
Over 36 up to and including 48	4
Over 48 up to and including 80	5

(C) Sectional ladder.

(i) Do not use assembled combinations of sectional ladders longer than lengths allowed in this subdivision.

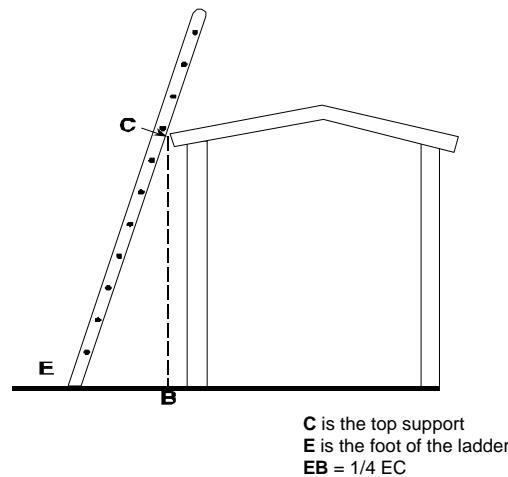


Figure 1. Diagram of proper ladder pitch

D

PORTABLE LADDERS

(ii) Place these ladders at an angle shown in Figure 1.

(iii) The tops must be tied down or secured if there is a possibility of sliding or movement.

(iv) Do not use three section extension ladders longer than 72 feet.

(D) Trestle and extension trestle ladder. *Do not use trestle ladders, or extension sections or base sections of extension trestle ladders more than 20 feet long.*

Stat. Auth.: ORS 654.025(2) and 656.726(3).

Stats. Implemented: ORS 654.001 through 654.295.

Hist: OR-OSHA Admin. Order 10-1999, f. 9/10/99, ef. 9/10/99.

437-002-0027 Fixed Ladders.

(1) Definitions. Fixed ladder terms mean:

Cage. A guard sometimes referred to as a basket guard that is an enclosure fastened to the side rails of a fixed ladder or to a structure to encircle the climbing space of the ladder.

Cleats. Ladder cross-pieces of rectangular cross-section placed on edge on which a person may step when climbing up or down.

Fastenings. A device to attach a ladder to a structure, building, or equipment.

Fixed ladder. A ladder permanently attached to a structure, building, or equipment.

Grab bars. Individual handholds adjacent to or as an extension above ladders to provide access beyond the limits of the ladder.

Individual-rung ladder. A fixed ladder with each rung individually attached to a structure, building, or equipment.

Ladder. A device with steps, rungs or cleats between rails, for people to climb up or down.

Ladder safety device. Any device, other than a cage or well, designed to eliminate or reduce the possibility of accidental falls, that may use life belts, friction brakes, and sliding attachments.

Pitch. The included angle between the horizontal and the ladder, measured on the opposite side of the ladder from the climbing side.

Rail ladder. A fixed ladder with side rails joined at regular intervals by rungs or cleats and fastened in full length or in sections to a building, structure, or equipment.

Rungs. Ladder cross-pieces of circular or oval cross-section on which a person may step when climbing up or down.

Side-step ladder. One from which a person getting off at the top must step sideways to reach the landing.

Steps. The flat cross-pieces of a ladder on which a person may step when climbing up or down.

Through ladder. A ladder from which a person getting off at the top must step through side rails to reach the landing.

Well. A permanent complete enclosure around a fixed ladder, that is attached to the walls of the well. Proper clearances for a well will give the climber the same protection as a cage.

(2) Design requirements.

(a) Design considerations. All ladders, appurtenances, and fastenings must meet these load requirements.

D

FIXED LADDERS

- (A) The minimum design live load must be a single concentrated load of 200 pounds.
- (B) Design consideration must include the number and position of additional concentrated live load units of 200 pounds each as determined from anticipated use.
- (C) Consider the live loads caused by persons on the ladder to be concentrated at such points as will cause the maximum stress in the structural member being under evaluation.
- (D) Use the weight of the ladder and attachments together with the live load when designing rails and fastenings.
- (E) All wood parts of fixed ladders must meet the requirements of OAR 437-002-0027(3).
- (F) For fixed ladders with wood side rails and wood rungs or cleats, used at an angle between 75 degrees and 90 degrees, and intended for use by no more than one person per section, single ladders in OAR 437-002-0026(8)(b)(A) are acceptable.

(3) Specific features.

(a) Rungs and cleats.

- (A) All rungs must have a minimum diameter of 3/4-inch for metal ladders, except as in paragraph OAR 437-002-0027(3)(g) and a minimum diameter of 1 1/8 inches for wood ladders.
- (B) The distance between rungs, cleats, and steps must be uniform and not more than 12 inches.
- (C) The minimum clear length of rungs or cleats must be 16 inches.
- (D) Rungs, cleats, and steps must not have splinters, sharp edges, burrs, or projections.
- (E) The rungs of an individual rung ladder must not allow the climber's foot to slide off the end. Figure 2 shows a suggested design.

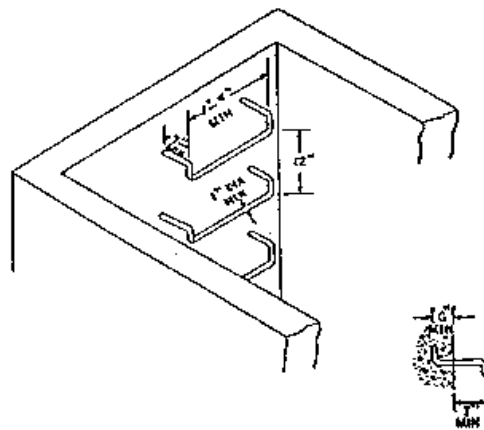


Figure 2. Suggested design for rungs on individual-rung ladders

(b) **Side rails.** Side rails that might be used as a climbing aid must be of such cross sections as to afford adequate gripping surface without sharp edges, splinters, or burrs.

(c) **Fastenings.** Fastenings must be an integral part of fixed ladder design.

(d) **Splices.** All splices must meet design requirements noted in (2)(a) above. All splices and connections must have smooth transition with original members and no sharp or extensive projections.

(e) **Electrolytic action.** Protect dissimilar metals from electrolytic action when they are joined.

(f) **Welding.** All welding must be according to the "Code for Welding in Building Construction" (AWS D1.0-1966).

(g) **Protection from deterioration.** Paint or treat metal ladders and attachments to resist corrosion and rusting when necessary. Ladders with individual metal rungs imbedded in concrete, that serve as access to pits and to other areas under floors, must have rungs with a minimum diameter of 1-inch or paint or treatment to resist corrosion and rusting.

(4) **Clearance.**

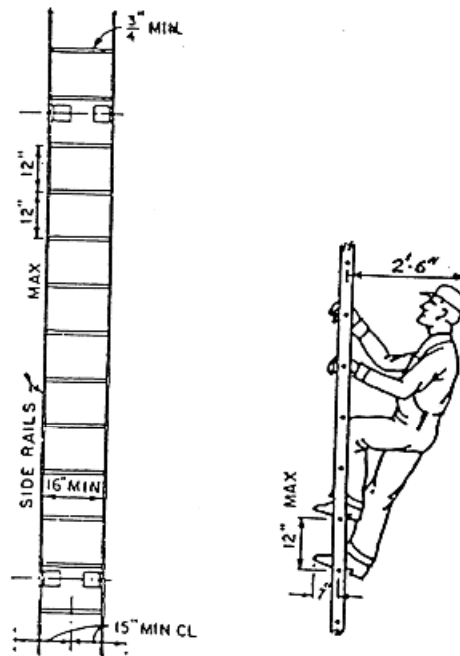


Figure 3. Rail Ladder With Bar Steel Rails and Round Steel Rungs

(a) **Climbing side.** On fixed ladders, the perpendicular distance from the centerline of the rungs to the nearest permanent object on the climbing side of the ladder must be 36 inches for a pitch of 76 degrees, and 30 inches for a pitch of 90 degrees (Figure 3), with minimum clearances for intermediate pitches varying between these two limits in proportion to the slope, except as in (4)(c) and (e) below.

(b) **Ladders without cages or wells.** There must be a clear width of at least 15 inches each way from the centerline of the ladder in the climbing space, except when cages or wells are necessary.

(c) **Ladders with cages or baskets.** Subparagraphs (4)(a) and (b) above do not cover ladders with a cage or basket. They must conform to (5)(a)(E). Subparagraph (4)(a) above does not cover fixed ladders in smooth-walled wells. They must conform to (5)(a)(F).

(d) **Clearance in back of ladder.** The distance from the centerline of rungs, cleats, or steps to the nearest permanent object in back of the ladder must be not less than 7 inches, except that when there are unavoidable obstructions, there must be minimum clearances shown in Figure 4.

Minimum Ladder Clearances

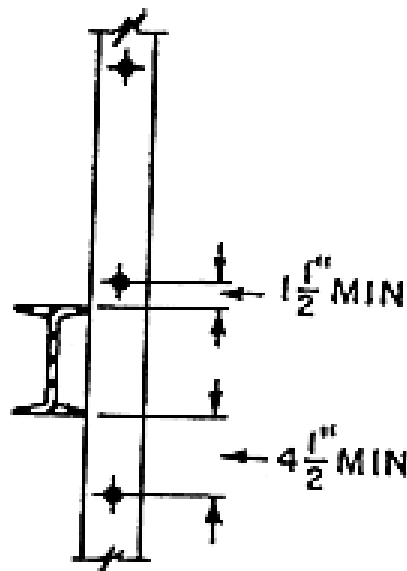


Figure 4. Clearance for Unavoidable Obstruction at Rear of Fixed Ladder

(e) **Clearance in back of grab bar.** The distance from the centerline of the grab bar to the nearest permanent object in back of the grab bars must be not less than 4 inches. Grab bars must not protrude on the climbing side beyond the rungs of the ladder that they serve.

(f) **Step-across distance.** The step-across distance from the nearest edge of the ladder to the nearest edge of equipment or structure must be not more than 12 inches, or less than 2 1/2 inches (Figure 5).

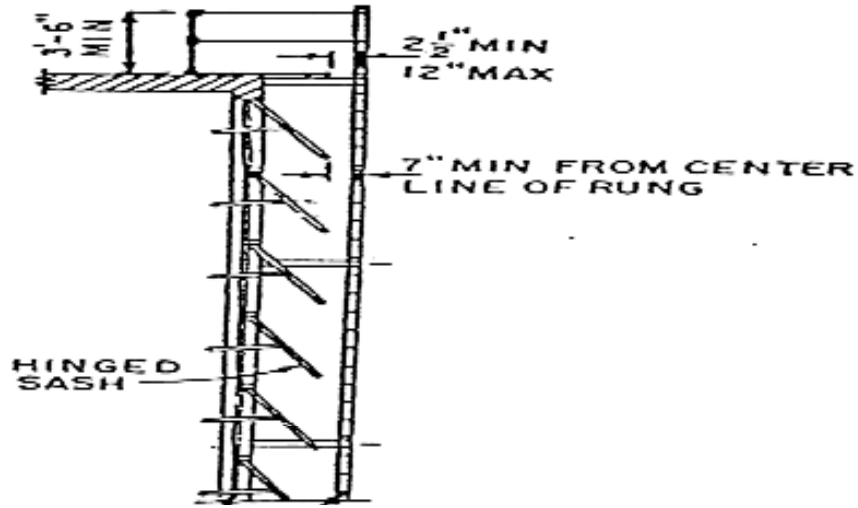


Figure 5. Ladder Far from Wall

(g) **Hatch cover.** Counterweighted hatch covers must open a minimum of 60° from the horizontal. The distance from the centerline of rungs or cleats to the edge of the hatch opening on the climbing side must be not less than 24 inches for offset wells or 30 inches for straight wells. There must be no protruding potential hazards within 24 inches of the centerline of rungs or cleats; any such hazards within 30 inches of the centerline of the rungs or cleats must have deflector plates at an angle of 60 degrees from the horizontal as shown in Figure 6. The relationship of a fixed ladder to an acceptable counterweighted hatch cover is shown in Figure 7.

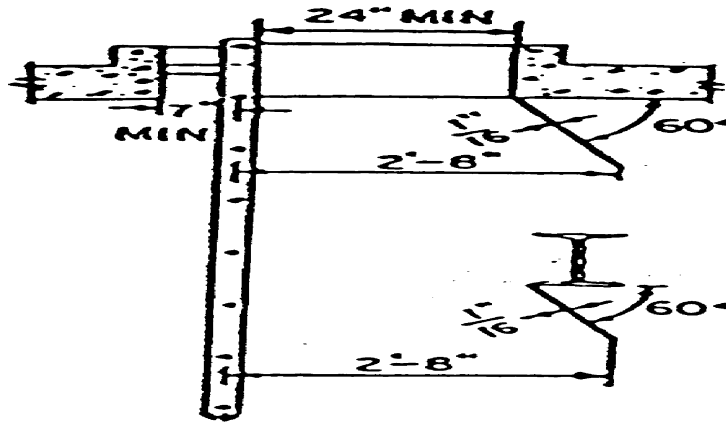


Figure 6. Deflector Plates for Head Hazards

D

FIXED LADDERS

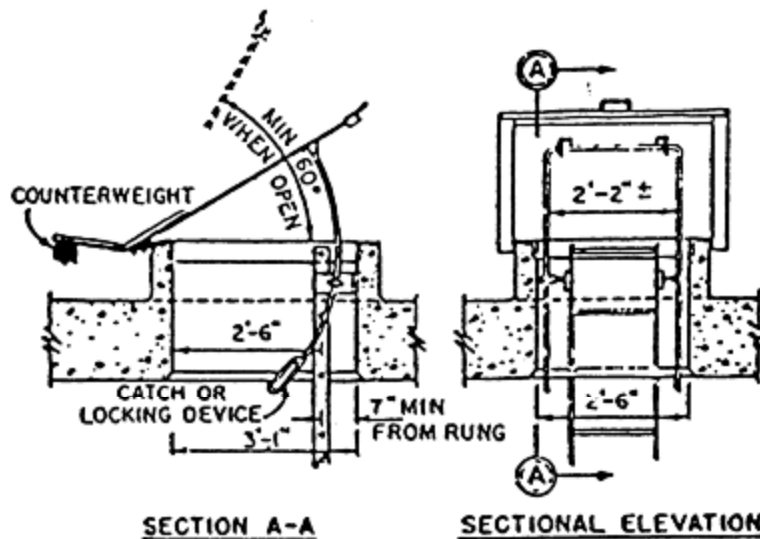


Figure 7. Relationship of Fixed Ladder to a Safe Access Hatch

(5) Special requirements.

(a) Cages, Wells and Ladder Climbing Safety Systems.

(A) Cages, wells or ladder climbing safety systems must be on all ladders where the length of climb is more than 24 feet but not more than 50 feet or the top of the ladder is more than 24 feet above the ground or nearest lower landing surface.

NOTE: Design specifications for cages and wells are in Figures 8, 9 and 10.

(B) Ladders with a length of climb more than 50 feet must have a cage, well or climbing safety system and must meet one of the following two requirements:

(i) When using a cage or well the ladder must be in sections, horizontally offset, with rest platforms at least every 50 feet.

(ii) When using a ladder climbing safety system the ladder must have rest platforms at least every 150 feet (except chimneys).

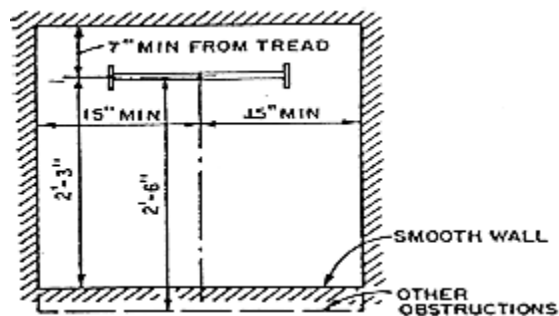


Figure 8. Clearance Diagram for Fixed Ladder in Well

FIXED LADDERS

D

(C) Cages must extend at least 42 inches above the top of the landing, unless there is other acceptable protection.

(D) Cages must extend down the ladder to a point not less than 7 feet nor more than 8 feet above the base of the ladder. The bottom must flare not less than 4 inches or the portion of the cage opposite the ladder must extend to the base.

(E) Cages must not extend less than 27 nor more than 28 inches from the center line of the rungs of the ladder. Cages must not be less than 27 inches in width. The inside must be clear of projections. Vertical bars must be at a maximum spacing of 40 degrees around the circumference of the cage; this will give a maximum spacing of approximately 9 1/2 inches, center-to-center.

(F) Ladder wells must have a clear width of at least 15 inches measured each way from the center line of the ladder. Smooth-walled wells must be a minimum of 27 inches from the center line of rungs to the well wall on the climbing side of the ladder. Where other obstructions on the climbing side of the ladder exist, there must be a minimum of 30 inches from the centerline of the rungs.

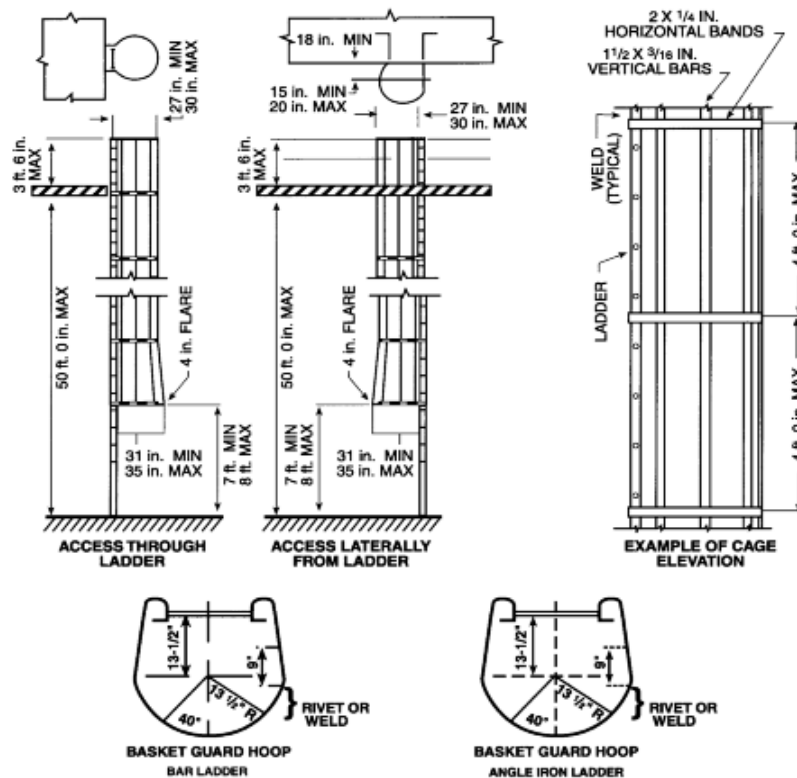


Figure 9. Cages for Ladders More Than 24 Feet High

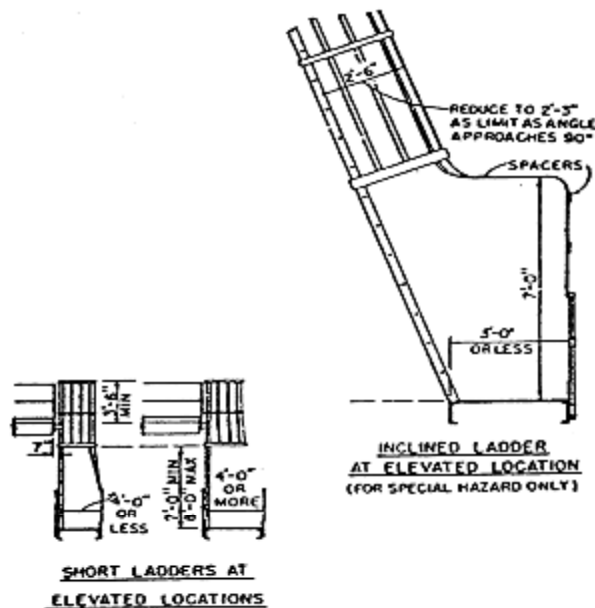


Figure 10. Cages – Special Applications

(b) Landing platforms.

(A) Where a person has to step a distance more than 12 inches from the center line of the rung of a ladder to the nearest edge of a structure or equipment, there must be a landing platform. The minimum step-across distance is 2 1/2 inches.

(B) All landings must have standard railings and toeboards, that give safe access to the ladder. Platforms must be not less than 24 inches wide and 30 inches long.

(C) One rung of any section of ladder must be at the level of the landing laterally served by the ladder. Where access to the landing is through the ladder, the spacing from the landing platform to the first rung below the landing must be the same as the rung spacing on the ladder.

(c) Ladder extensions. The side rails of through or side step ladder extensions must extend 3 1/2 feet above parapets and landings. For through ladder extensions, omit the rungs from the extension. There must be not less than 18 nor more than 24 inches clearance between rails. For side step or offset fixed ladder sections, at landings, the side rails and rungs must extend to the next regular rung beyond or above the 3 1/2-foot minimum (Figure 11).

(d) Grab bars. Space grab bars by a continuation of the rung spacing when they are horizontal. Vertical grab bars must have the same spacing as the ladder side rails. Grab bar diameters must be the equivalent of the round rung diameters.

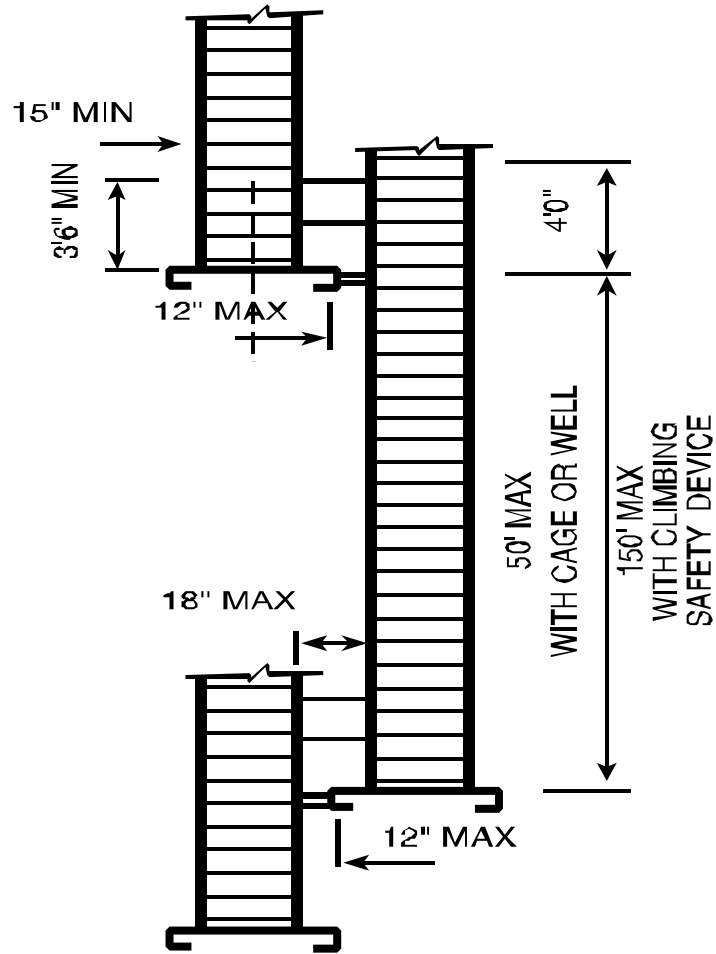


Figure 11. Offset Fixed Ladder Sections

(6) Pitch.

(a) Preferred pitch. The preferred pitch of fixed ladders is between 75 degrees and 90 degrees with the horizontal (Figure 12).

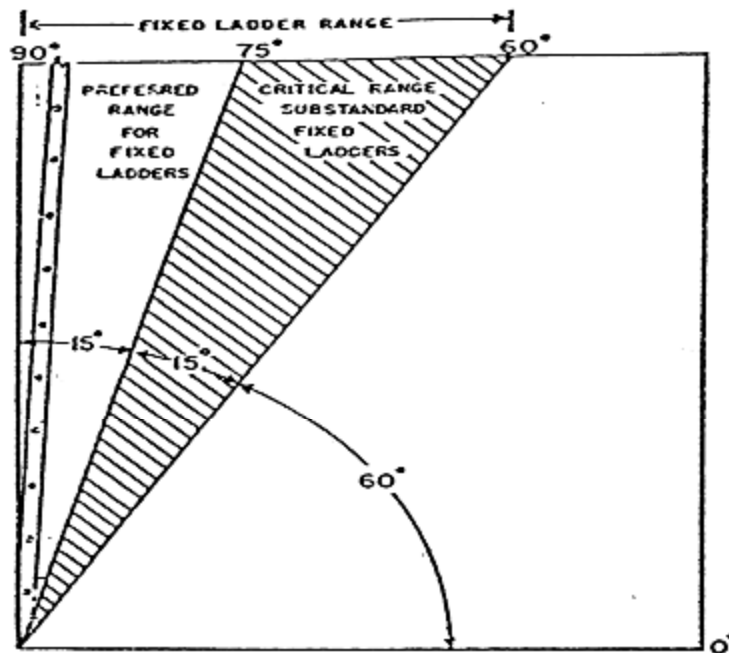


Figure 12. Pitch of Fixed Ladders

(b) Substandard pitch. Fixed ladders are substandard if they are between 60 degrees and 75 degrees with the horizontal. Substandard fixed ladders are allowed only where necessary to meet conditions of installation.

(c) Scope of coverage in this section. This section covers only fixed ladders between 60 degrees and 90 degrees with the horizontal.

(d) Pitch more than 90 degrees. No ladder may be more than 90 degrees with the horizontal.

(7) Maintenance. All ladders must be in safe condition. Inspect ladders at intervals determined by use and exposure.

Stat. Auth.: ORS 654.025(2) and 656.726(3).
Stats. Implemented: ORS 654.001 through 654.295.
Hist: OR-OSHA Admin. Order 10-1999, f. 9/10/99, ef. 9/10/99.

SAFETY REQUIREMENTS FOR SCAFFOLDING / GUARDRAILS & **D** TOEBOARDS

§1910.28 Safety Requirements for Scaffolding.

437-002-0028 Guardrails and Toeboards. *Guardrails and toeboards shall be installed on all open sides and ends of platforms more than 10 feet above the ground or floor.*

Stat. Auth.: ORS 654.025(2) and 656.726(3).
Hist: OR-OSHA Admin. Order 4-1990, f. 1/23/90, ef. 1/23/90.

(a) General requirements for all scaffolds.

- (1) Scaffolds shall be furnished and erected in accordance with this standard for persons engaged in work that cannot be done safely from the ground or from solid construction, except that ladders used for such work shall conform to §1910.25 and §1910.26.
- (2) The footing or anchorage for scaffolds shall be sound, rigid, and capable of carrying the maximum intended load without settling or displacement. Unstable objects such as barrels, boxes, loose brick, or concrete blocks shall not be used to support scaffolds or planks.
- (3) **(Reserved)**
- (4) Scaffolds and their components shall be capable of supporting without failure at least four times the maximum intended load.
- (5) Scaffolds and other devices mentioned or described in this section shall be maintained in safe condition. Scaffolds shall not be altered or moved horizontally while they are in use or occupied.
- (6) Any scaffold damaged or weakened from any cause shall be immediately repaired and shall not be used until repairs have been completed.
- (7) Scaffolds shall not be loaded in excess of the working load for which they are intended.
- (8) All load-carrying timber members of scaffold framing shall be a minimum of 1,500 *f.* (Stress Grade) construction grade lumber. All dimensions are nominal sizes as provided in the American Lumber Standards, except that where rough sizes are noted, only rough or undressed lumber of the size specified will satisfy minimum requirements. (**Note:** Where nominal sizes of lumber are used in place of rough sizes, the nominal size lumber shall be such as to provide equivalent strength to that specified in tables D-7 through D-12 and D-16.)
- (9) All planking shall be Scaffold Grade as recognized by grading rules for the species of wood used. The maximum permissible spans for 2- x 9-inch or wider planks are shown in the following table:

D

SAFETY REQUIREMENTS FOR SCAFFOLDING

	Material				
	Full thickness undressed lumber			Nominal thickness lumber	
Working load (p.s.f.)	25	50	75	25	50
Permissible span (ft.)	10	8	6	8	9

The maximum permissible span for 1 1/4 x 9-inch or wider plank of full thickness is 4 feet with medium loading of 50 p.s.f.

(10) Nails or bolts used in the construction of scaffolds shall be of adequate size and in sufficient numbers at each connection to develop the designed strength of the scaffold. Nails shall not be subjected to a straight pull and shall be driven full length.

(11) All planking or platforms shall be overlapped (minimum 12 inches) or secured from movement.

(12) An access ladder or equivalent safe access shall be provided.

(13) Scaffold planks shall extend over their end supports not less than 6 inches nor more than 18 inches.

(14) The poles, legs, or uprights of scaffolds shall be plumb, and securely and rigidly braced to prevent swaying and displacement.

(15) Materials being hoisted onto a scaffold shall have a tag line.

(16) Overhead protection shall be provided for men on a scaffold exposed to overhead hazards.

(17) Scaffolds shall be provided with a screen between the toeboard and the guardrail, extending along the entire opening, consisting of No. 18 gauge U.S. Standard Wire 1/2-inch mesh or the equivalent, where persons are required to work or pass under the scaffolds.

(18) Employees shall not work on scaffolds during storms or high winds.

(19) Employees shall not work on scaffolds which are covered with ice or snow, unless all ice or snow is removed and planking sanded to prevent slipping.

(20) Tools, materials, and debris shall not be allowed to accumulate in quantities to cause a hazard.

(21) Only treated or protected fiber rope shall be used for or near any work involving the use of corrosive substances or chemicals.

(22) Wire or fiber rope used for scaffold suspension shall be capable of supporting at least six times the intended load.

SAFETY REQUIREMENTS FOR SCAFFOLDING

D

(23) When acid solutions are used for cleaning buildings over 50 feet in height, wire rope supported scaffolds shall be used.

(24) The use of shore scaffolds or lean-to scaffolds is prohibited.

(25) Lumber sizes, when used in this section, refer to nominal sizes except where otherwise stated.

(26) Scaffolds shall be secured to permanent structures, through use of anchor bolts, reveal bolts, or other equivalent means. Window cleaners' anchor bolts shall not be used.

(27) Special precautions shall be taken to protect scaffold members, including any wire or fiber ropes, when using a heat-producing process.

(b) General requirements for wood pole scaffolds.

(1) Scaffold poles shall bear on a foundation of sufficient size and strength to spread the load from the poles over a sufficient area to prevent settlement. All poles shall be set plumb.

(2) Where wood poles are spliced, the ends shall be squared and the upper section shall rest squarely on the lower section. Wood splice plates shall be provided on at least two adjacent sides and shall not be less than 4 feet 0 inches in length, overlapping the abutted ends equally, and have the same width and not less than the cross-sectional area of the pole. Splice plates of other materials of equivalent strength may be used.

(3) Independent pole scaffolds shall be set as near to the wall of the building as practicable.

(4) All pole scaffolds shall be securely guyed or tied to the building or structure. Where the height or length exceeds 25 feet, the scaffold shall be secured at intervals not greater than 25 feet vertically and horizontally.

(5) Putlogs or bearers shall be set with their greater dimensions vertical, long enough to project over the ledgers of the inner and outer rows of poles at least 3 inches for proper support.

(6) Every wooden putlog on single pole scaffolds shall be reinforced with a 3/16 x 2-inch steel strip or equivalent secured to its lower edge throughout its entire length.

(7) Ledgers shall be long enough to extend over two pole spaces. Ledgers shall not be spliced between the poles. Ledgers shall be reinforced by bearing blocks securely nailed to the side of the pole to form a support for the ledger.

D

SAFETY REQUIREMENTS FOR SCAFFOLDING

- (8) Diagonal bracing shall be provided to prevent the poles from moving in a direction parallel with the wall of the building, or from buckling.
- (9) Cross bracing shall be provided between the inner and outer sets of poles in independent pole scaffolds. The free ends of pole scaffolds shall be cross braced.
- (10) Full diagonal face bracing shall be erected across the entire face of pole scaffolds in both directions. The braces shall be spliced at the poles.
- (11) Platform planks shall be laid with their edges close together so the platform will be tight with no spaces through which tools or fragments of material can fall.
- (12) Where planking is lapped, each plank shall lap its end supports at least 12 inches. Where the ends of planks abut each other to form a flush floor, the butt joint shall be at the centerline of a pole. The abutted ends shall rest on separate bearers. Intermediate beams shall be provided where necessary to prevent dislodgment of planks due to deflection, and the ends shall be nailed or cleated to prevent their dislodgment.
- (13) When a scaffold turns a corner, the platform planks shall be laid to prevent tipping. The planks that meet the corner putlog at an angle shall be laid first, extending over the diagonally placed putlog far enough to have a good safe bearing, but not far enough to involve any danger from tipping. The planking running in the opposite direction at right angles shall be laid so as to extend over and rest on the first layer of planking.
- (14) When moving platforms to the next level, the old platform shall be left undisturbed until the new putlogs or bearers have been set in place, ready to receive the platform planks.
- (15) Guardrails not less than 2 x 4 inches or the equivalent and not less than 36 inches or more than 42 inches high, with a midrail, when required, of 1 x 4-inch lumber or equivalent, and toeboards, shall be installed at all open sides on all scaffolds more than 10 feet above the ground or floor. Toeboards shall be a minimum of 4 inches in height. Wire mesh shall be installed in accordance with paragraph (a)(17) of this section.
- (16) All wood pole scaffolds 60 feet or less in height shall be constructed and erected in accordance with tables D-7 through D-12 of this section. If they are over 60 feet in height they shall be designed by a registered professional engineer and constructed and erected in accordance with such design. A copy of the typical drawings and specifications shall be made available to the employer and for inspection purposes.
- (17) Wood-pole scaffolds shall not be erected beyond the reach of effective firefighting apparatus.

SAFETY REQUIREMENTS FOR SCAFFOLDING

D

**Table D-7 – Minimum Nominal Size and Maximum Spacing of Members of
Single Pole Scaffolds – Light Duty**

	Maximum height of scaffold	
	20 feet	60 feet
Uniformly distributed load	Not to exceed 25 pounds per square foot	
Poles or uprights	2 by 4 in.	4 by 4 in.
Poles spacing (longitudinal)	6 ft. 0 in.	10 ft. 0 in.
Maximum width of scaffold	5 ft. 0 in.	5 ft. 0 in.
Bearers or putlogs to 3 ft. 0 in. width	2 by 4 in.	2 by 4 in.
Bearers or putlogs to 5 ft. 0 in. width	2 by 6 in. or 3 by 4 in.	2 by 6 in. or 3 by 4 in. (rough)
Ledgers	1 by 4 in.	1 1/4 by 9 in.
Planking	1 1/4 by 9 in. (rough)	2 by 9 in.
Vertical spacing of horizontal members	7 ft. 0 in.	7 ft. 0 in.
Bracing, horizontal and diagonal	1 by 4 in.	1 by 4 in.
Tie-ins	1 by 4 in.	1 by 4 in.
Toeboards	4 in. high (minimum)	4 in. high (minimum)
Guardrail	2 by 4 in.	2 by 4 in.

All members except planking are used on edge.

**Table D-8 – Minimum Nominal Size and Maximum Spacing of Members of
Single Pole Scaffolds – Medium Duty**

Uniformly distributed load	Not to exceed 50 pounds per square foot
Maximum height of scaffold	60 ft.
Poles or uprights	4 by 4 in.
Pole spacing (longitudinal)	8 ft. 0 in.
Maximum width of scaffold	5 ft. 0 in.
Bearers or putlogs	2 by 9 in. or 3 by 4 in.
Spacing of bearings or putlogs	8 ft. 0 in.
Ledgers	2 by 9 in.
Vertical spacing of horizontal members	9 ft. 0 in.
Bracing, horizontal	1 by 6 in. or 1 1/4 by 4 in.
Bracing, diagonal	1 by 4 in.
Tie-ins	1 by 4 in.
Planking	2 by 9 in.
Toeboards	4 in high (minimum)
Guardrail	2 by 4 in.

All members except planking are used on edge.

**Table D-9 – Minimum Nominal Size and Maximum Spacing of Members of
Single Pole Scaffolds – Heavy Duty**

Uniformly distributed load	Not to exceed 75 pounds per square foot
Maximum height of scaffold	60 ft.
Poles or uprights	4 by 4 in.
Pole spacing (longitudinal)	6 ft. 0 in.
Maximum width of scaffold	5 ft. 0 in.
Bearers or putlogs	2 by 9 in. or 3 by 5 in. (rough)
Spacing of bearings or putlogs	6 ft. 0 in.
Ledgers	2 by 9 in.
Vertical spacing of horizontal members	6 ft. 6 in.
Bracing, horizontal and diagonal	2 by 4 in.
Tie-ins	1 by 4 in.
Planking	2 by 9 in.
Toeboards	4 in. high (minimum)
Guardrail	2 by 4 in.

All members except planking are used on edge.

D

SAFETY REQUIREMENTS FOR SCAFFOLDING

Oregon Administrative Rules
Oregon Occupational Safety
and Health Division

Table D-10 – Minimum Nominal Size and Maximum Spacing of Members of Independent Pole Scaffolds – Light Duty

	Maximum height of scaffold	
	20 feet	60 feet
Uniformly distributed load	Not to exceed 25 pounds per square foot	
Poles or uprights	2 by 4 in.	4 by 4 in.
Poles spacing (longitudinal)	6 ft. 0 in.	10 ft. 0 in.
Poles spacing (transverse)	6 ft. 0 in.	10 ft. 0 in.
Ledgers	1 1/4 by 4 in.	1 1/4 by 9 in.
Bearers to 3 ft. 0 in. span	2 by 4 in.	2 by 4 in.
Bearers to 10 ft. 0 in. span	2 by 6 in. or 3 by 4 in.	2 by 9 (rough) or 3 by 8 in.
Planking	1 1/4 by 9 in.	2 by 9 in.
Vertical spacing of horizontal members .	7 ft. 0 in.	7 ft. 0 in.
Bracing, horizontal and diagonal	1 by 4 in.	1 by 4 in.
Tie-ins	1 by 4 in.	1 by 4 in.
Toeboards	4 in. high	4 in. high (minimum)
Guardrail	2 by 4 in.	2 by 4 in.

All members except planking are used on edge.

Table D-11 – Minimum Nominal Size and Maximum Spacing of Members of Independent Pole Scaffolds – Medium Duty

Uniformly distributed load	Not to exceed 50 pounds per square foot
Maximum height of scaffold	60 ft.
Poles or uprights	4 by 4 in.
Pole spacing (longitudinal)	8 ft. 0 in.
Pole spacing (transverse)	8 ft. 0 in.
Ledgers	2 by 9 in.
Vertical spacing of horizontal members	6 ft. 0 in.
Spacing of bearers	8 ft. 0 in.
Bearers	2 by 9 in. (rough) or 2 by 10 in.
Bracing, horizontal	1 by 6 in. or 1 1/4 by 4 in.
Bracing, diagonal	1 by 4 in.
Tie-ins	1 by 4 in.
Planking	2 by 9 in.
Toeboards	4 in. high (minimum)
Guardrail	2 by 4 in.

All members except planking are used on edge.

Table D-12 – Minimum Nominal Size and Maximum Spacing of Members of Independent Pole Scaffolds – Heavy Duty

Uniformly distributed load	Not to exceed 75 pounds per square foot
Maximum height of scaffold	60 ft.
Poles or uprights	4 by 4 in.
Pole spacing (longitudinal)	6 ft. 0 in.
Pole spacing (transverse)	8 ft. 0 in.
Ledgers	2 by 9 in.
Vertical spacing of horizontal members	4 ft. 6 in.
Bearers	2 by 9 in. (rough)
Bracing, horizontal and diagonal	2 by 4 in.
Tie-ins	1 by 4 in.
Planking	2 by 9 in.
Toeboards	4 in. high (minimum)
Guardrail	2 by 4 in.

All members except planking are used on edge.

SAFETY REQUIREMENTS FOR SCAFFOLDING

D

(c) Tube and coupler scaffolds.

(1) A light-duty tube and coupler scaffold shall have all posts, bearers, runners, and bracing of nominal 2-inch O.D. steel tubing. The posts shall be spaced no more than 6 feet apart by 10 feet along the length of the scaffold. Other structural metals when used must be designed to carry an equivalent load.

(2) A medium-duty tube and coupler scaffold shall have all posts, runners, and bracing of nominal 2-inch O.D. steel tubing. Posts spaced not more than 6 feet apart by 8 feet along the length of the scaffold shall have bearers of nominal 2 1/2-inch O.D. steel tubing. Posts spaced not more than 5 feet apart by 8 feet along the length of the scaffold shall have bearers of nominal 2-inch O.D. steel tubing. Other structural metals when used must be designed to carry an equivalent load.

(3) A heavy-duty tube and coupler scaffold shall have all posts, runners, and bracing of nominal 2-inch O.D. steel tubing, with the posts spaced not more than 6 feet apart by 6 feet 6 inches along the length of the scaffold. Other structural metals when used must be designed to carry an equivalent load.

(4) Tube and coupler scaffolds shall be limited in heights and working levels to those permitted in Tables D-13, 14, and 15, of this section. Drawings and specifications of all tube and coupler scaffolds above the limitations in Tables D-13, 14, and 15 of this section shall be designed by a registered professional engineer and copies made available to the employer and for inspection purposes.

(5) All tube and coupler scaffolds shall be constructed and erected to support four times the maximum intended loads as set forth in Tables D-13, 14, and 15 of this section, or as set forth in the specifications by a registered professional engineer, copies which shall be made available to the employer and for inspection purposes.

Table D-13 – Tube and Coupler Scaffolds – Light Duty

Uniformly distributed load	Not to exceed 25 p.s.i.	
Post spacing (longitudinal)	10 ft. 0 in.	
Post spacing (transverse)	6 ft. 0 in.	
Working levels	Additional planked levels	Maximum height
1	8	125 ft.
2	4	125 ft.
3	0	91 ft. 0 in.

Table D-14 – Tube and Coupler Scaffolds – Medium Duty

Uniformly distributed load	Not to exceed 50 p.s.i.	
Post spacing (longitudinal)	8 ft. 0 in.	
Post spacing (transverse)	6 ft. 0 in.	
Working levels	Additional planked levels	Maximum height
1	6	125 ft.
2	0	78 ft. 0 in.

D

SAFETY REQUIREMENTS FOR SCAFFOLDING

Table D-15 – Tube and Coupler Scaffolds – Heavy Duty

Uniformly distributed load	Not to exceed 75 p.s.i.	
Post spacing (longitudinal)	6 ft. 6 in.	
Post spacing (transverse)	6 ft. 0 in.	
Working levels	Additional planked levels	Maximum height
1	6	125 ft.

- (6) All tube and coupler scaffolds shall be erected by competent and experienced personnel.
- (7) Posts shall be accurately spaced, erected on suitable bases, and maintained plumb.
- (8) Runners shall be erected along the length of the scaffold located on both the inside and the outside posts at even height. Runners shall be interlocked to form continuous lengths and coupled to each post. The bottom runners shall be located as close to the base as possible. Runners shall be placed not more than 6 feet 6 inches on centers.
- (9) Bearers shall be installed transversely between posts and shall be securely coupled to the posts bearing on the runner coupler. When coupled directly to the runners, the coupler must be kept as close to the posts as possible.
- (10) Bearers shall be at least 4 inches but not more than 12 inches longer than the post spacing or runner spacing. Bearers may be cantilevered for use as brackets to carry not more than two planks.
- (11) Cross bracing shall be installed across the width of the scaffold at least every third set of posts horizontally and every fourth runner vertically. Such bracing shall extend diagonally from the inner and outer runners upward to the next outer and inner runners.
- (12) Longitudinal diagonal bracing shall be installed at approximately a 45-degree angle from near the base of the first outer post upward to the extreme top of the scaffold. Where the longitudinal length of the scaffold permits, such bracing shall be duplicated beginning at every fifth post. In a similar manner, longitudinal diagonal bracing shall also be installed from the last post extending back and upward toward the first post. Where conditions preclude the attachment of this bracing to the posts, it may be attached to the runners.
- (13) The entire scaffold shall be tied to and securely braced against the building at intervals not to exceed 30 feet horizontally and 26 feet vertically.
- (14) Guardrails not less than 2 X 4 inches or the equivalent and not less than 36 inches or more than 42 inches high, with a midrail, when required, of 1 X 4-inch lumber or equivalent, and toeboards, shall be installed at all open sides on all scaffolds more than 10 feet above the ground or floor. Toeboards shall be a minimum of 4 inches in height. Wire mesh shall be installed in accordance with paragraph (a)(17) of this section.

SAFETY REQUIREMENTS FOR SCAFFOLDING

D

(d) Tubular welded frame scaffolds.

- (1)** Metal tubular frame scaffolds, including accessories such as braces, brackets, trusses, screw legs, ladders, etc., shall be designed and proved to safely support four times the maximum intended load.
- (2)** Spacing of panels or frames shall be consistent with the loads imposed.
- (3)** Scaffolds shall be properly braced by cross bracing or diagonal braces, or both, for securing vertical members together laterally, and the cross braces shall be of such length as will automatically square and aline vertical members so that the erected scaffold is always plumb, square, and rigid. All brace connections shall be made secure.
- (4)** Scaffold legs shall be set on adjustable bases or plain bases placed on mud sills or other foundations adequate to support the maximum intended load.
- (5)** The frames shall be placed one on top of the other with coupling or stacking pins to provide proper vertical alinement of the legs.
- (6)** Where uplift may occur, panels shall be locked together vertically by pins or other equivalent suitable means.
- (7)** Guardrails not less than 2 x 4 inches or the equivalent and not less than 36 inches or more than 42 inches high, with a midrail, when required, of 1- x 4-inch lumber or equivalent, and toeboards, shall be installed at all open sides on all scaffolds more than 10 feet above the ground or floor. Toeboards shall be a minimum of 4 inches in height. Wire mesh shall be installed in accordance with paragraph (a)(17) of this section.
- (8)** All tubular metal scaffolds shall be constructed and erected to support four times the maximum intended loads.
- (9)** To prevent movement, the scaffold shall be secured to the building or structure at intervals not to exceed 30 feet horizontally and 26 feet vertically.
- (10)** Maximum permissible spans of planking shall be in conformity with paragraph (a)(9) of this section.
- (11)** Drawings and specifications for all frame scaffolds over 125 feet in height above the base plates shall be designed by a registered professional engineer and copies made available to the employer and for inspection purposes.
- (12)** All tubular welded frame scaffolds shall be erected by competent and experienced personnel.

D

SAFETY REQUIREMENTS FOR SCAFFOLDING

(13) Frames and accessories for scaffolds shall be maintained in good repair and every defect, unsafe condition, or noncompliance with this section shall be immediately corrected before further use of the scaffold. Any broken, bent, excessively rusted, altered, or otherwise structurally damaged frames or accessories shall not be used.

(14) Periodic inspections shall be made of all welded frames and accessories, and any maintenance, including painting, or minor corrections authorized by the manufacturer, shall be made before further use.

(e) Outrigger scaffolds.

(1) Outrigger beams shall extend not more than 6 feet beyond the face of the building. The inboard end of outrigger beams, measured from the fulcrum point to the extreme point of support, shall be not less than 1 1/2 times the outboard end in length. The beams shall rest on edge, the sides shall be plumb, and the edges shall be horizontal. The fulcrum point of the beam shall rest on a secure bearing at least 6 inches in each horizontal dimension. The beam shall be secured in place against movement and shall be securely braced at the fulcrum point against tipping.

(2) The inboard ends of outrigger beams shall be securely supported either by means of struts bearing against sills in contact with the overhead beams or ceiling, or by means of tension members secured to the floor joists underfoot, or by both if necessary. The inboard ends of outrigger beams shall be secured against tipping and the entire supporting structure shall be securely braced in both directions to prevent any horizontal movement.

(3) Unless outrigger scaffolds are designed by a licensed professional engineer, they shall be constructed and erected in accordance with Table D-16. Outrigger scaffolds designed by a registered professional engineer shall be constructed and erected in accordance with such design. A copy of the detailed drawings and specifications showing the sizes and spacing of members shall be kept on the job.

(4) Planking shall be laid tight and shall extend to within 3 inches of the building wall. Planking shall be nailed or bolted to outriggers.

(5) Where there is danger of material falling from the scaffold, a wire mesh or other enclosure shall be provided between the guardrail and the toeboard.

(6) Where additional working levels are required to be supported by the outrigger method, the plans and specifications of the outrigger and scaffolding structure shall be designed by a registered professional engineer.

(f) Masons' adjustable multiple-point suspension scaffolds.

(1) The scaffold shall be capable of sustaining a working load of 50 pounds per square foot and shall not be loaded in excess of that figure.

SAFETY REQUIREMENTS FOR SCAFFOLDING

D

(2) The scaffold shall be provided with hoisting machines that meet the requirements of a nationally recognized testing laboratory. Refer to §1910.7 for definition of nationally recognized testing laboratory.

**Table D-16 – Minimum Nominal Size and Maximum Spacing of
Members of Outrigger Scaffolds**

	Light duty	Medium duty
Maximum scaffold load	25 p.s.f	50 p.s.f
Outrigger size	2 x 10 in.	3 x 10 in.
Maximum outrigger spacing	10 ft. 0 in.	6 ft. 0 in.
Planking	2 x 9 in.	2 x 9 in.
Guardrail	2 x 4 in.	2 x 4 in.
Guardrail uprights	2 x 4 in.	2 x 4 in.
Toeboards (minimum)	4 in.	4 in.

(3) The platform shall be supported by wire ropes in conformity with paragraph (a)(22) of this section, suspended from overhead outrigger beams.

(4) The scaffold outrigger beams shall consist of structural metal securely fastened or anchored to the frame or floor system of the building or structure.

(5) Each outrigger beam shall be equivalent in strength to at least a standard 7-inch, 15.3-pound steel I-beam, be at least 15 feet long, and shall not project more than 6 feet 6 inches beyond the bearing point.

(6) Where the overhang exceeds 6 feet 6 inches, outrigger beams shall be composed of stronger beams or multiple beams and be installed in accordance with approved designs and instructions.

(7) If channel iron outrigger beams are used in place of I-beams, they shall be securely fastened together with the flanges turned out.

(8) All outrigger beams shall be set and maintained with their webs into vertical position.

(9) A stop bolt shall be placed at each end of every outrigger beam.

(10) The outrigger beam shall rest on suitable wood-bearing blocks.

(11) All parts of the scaffold such as bolts, nuts, fittings, clamps, wire rope, and outrigger beams and their fastenings, shall be maintained in sound and good working condition and shall be inspected before each installation and periodically thereafter.

(12) The free end of the suspension wire ropes shall be equipped with proper size thimbles and be secured by splicing or other equivalent means. The running ends shall be securely attached to the hoisting drum and at least four turns of rope shall at all times remain on the drum.

D

SAFETY REQUIREMENTS FOR SCAFFOLDING

(13) Where a single outrigger beam is used, the steel shackles or clevises with which the wire ropes are attached to the outrigger beams shall be placed directly over the hoisting drums.

(14) The scaffold platform shall be equivalent in strength to at least 2-inch planking. (For maximum planking spans see paragraph (a)(9) of this section.)

(15) Guardrails not less than 2 x 4 inches or the equivalent and not less than 36 inches or more than 42 inches high, with a midrail, when required, of 1 x 4-inch lumber or equivalent, and toeboards, shall be installed at all open sides on all scaffolds more than 10 feet above the ground or floor. Toeboards shall be a minimum of 4 inches in height. Wire mesh shall be installed in accordance with paragraph (a)(17) of this section.

(16) Overhead protection shall be provided on the scaffold, not more than 9 feet above the platform, consisting of 2-inch planking or material of equivalent strength laid tight, when workers are at work on the scaffold and an overhead hazard exists.

(17) Each scaffold shall be installed or relocated in accordance with designs and instructions, of a registered professional engineer, and supervised by a competent, designated person.

(g) Two-point suspension scaffolds (swinging scaffolds).

(1) Two-point suspension scaffold platforms shall be not less than 20 inches no more than 36 inches wide overall. The platform shall be securely fastened to the hangers by U-bolts or by other equivalent means.

(2) The hangers of two-point suspension scaffolds shall be made of wrought iron, mild steel, or other equivalent material having a cross-sectional area capable of sustaining four times the maximum intended load, and shall be designed with a support for guardrail, intermediate rail, and toeboard.

(3) When hoisting machines are used on two-point suspension scaffolds, such machines shall be of a design tested and approved by a nationally recognized testing laboratory. Refer to §1910.7 for definition of nationally recognized testing laboratory.

(4) The roof irons or hooks shall be of wrought iron, mild steel, or other equivalent material of proper size and design, securely installed and anchored. Tiebacks of 3/4-inch manila rope or the equivalent shall serve as a secondary means of anchorage, installed at right angles to the face of the building whenever possible and secured to a structurally sound portion of the building.

(5) Guardrails not less than 2 x 4 inches or the equivalent and not less than 36 inches or more than 42 inches high, with a midrail, when required, of 1- x 4-inch lumber or equivalent, and toeboards, shall be installed at all open sides on all scaffolds more than 10 feet above the ground or floor. Toeboards shall be a minimum of 4 inches in height. Wire mesh shall be installed in accordance with paragraph (a)(17) of this section.

SAFETY REQUIREMENTS FOR SCAFFOLDING

D

(6) Two-point suspension scaffolds shall be suspended by wire or fiber ropes. Wire and fiber ropes shall conform to paragraph (a)(22) of this section.

(7) The blocks for fiber ropes shall be of standard 6-inch size, consisting of at least one double and one single block. The sheaves of all blocks shall fit the size of rope used.

(8) All wire ropes, fiber ropes, slings, hangers, platforms, and other supporting parts shall be inspected before every installation. Periodic inspections shall be made while the scaffold is in use.

(9) On suspension scaffolds designed for a working load of 500 pounds no more than two persons shall be permitted to work at one time. On suspension scaffolds with a working load of 750 pounds, no more than three persons shall be permitted to work at one time. Each worker shall be protected by a safety lifebelt attached to a lifeline. The lifeline shall be securely attached to substantial members of the structure (not scaffold), or to securely rigged lines, which will safely suspend the worker in case of a fall.

(10) Where acid solutions are used, fiber ropes are not permitted unless acid-proof.

(11) Two-point suspension scaffolds shall be securely lashed to the building or structure to prevent them from swaying. Window cleaners' anchors shall not be used for this purpose.

(12) The platform of every two-point suspension scaffold shall be one of the following types:

(i) The side stringer of ladder-type platforms shall be clear straight-grained spruce or materials of equivalent strength and durability. The rungs shall be of straight-grained oak, ash, or hickory, at least 1 1/8-inch in diameter, with 7/8-inch tenons mortised into the side stringers at least 7/8-inch. The stringers shall be tied together with the tie rods not less than 1/4-inch in diameter, passing through the stringers and riveted up tight against washers on both ends. The flooring strips shall be spaced not more than 5/8-inch apart except at the side rails where the space may be 1-inch. Ladder-type platforms shall be constructed in accordance with Table D-17.

(ii) Plank-type platforms shall be composed of not less than nominal 2- x 8-inch unspliced planks, properly cleated together on the underside starting 6 inches from each end; intervals in between shall not exceed 4 feet.

The plank-type platform shall not extend beyond the hangers more than 18 inches. A bar or other effective means shall be securely fastened to the platform at each end to prevent its slipping off the hanger. The span between hangers for plank-type platforms shall not exceed 10 feet.

D

SAFETY REQUIREMENTS FOR SCAFFOLDING

(iii) Beam platforms shall have side stringers of lumber not less than 2 x 6 inches set on edge. The span between hangers shall not exceed 12 feet when beam platforms are used. The flooring shall be supported on 2- and 6-inch crossbeams, laid flat and set into the upper edge of the stringers with a snug fit, at intervals of not more than 4 feet, securely nailed in place. The flooring shall be of 1- x 6-inch material properly nailed. Floorboards shall not be spaced more than 1/2-inch apart.

Table D-17 – Schedule for Ladder-Type Platforms

	Length of platform (feet)				
	12	14 & 16	18 & 20	22 & 24	28 & 30
Side stringers, minimum cross section (finished sizes):					
At ends (in.)	1 3/4 x 2 3/4	1 3/4 x 2 3/4	1 3/4 x 3	1 3/4 x 3	1 3/4 x 3 1/2
At middle (in.)	1 3/4 x 3 3/4	1 3/4 x 3 3/4	1 3/4 x 4	1 3/4 x 4 1/4	1 3/4 x 5
Reinforcing strip (minimum) ¹
Rungs ²
Tie rods:					
Number (minimum)	3	4	4	5	6
Diameter (minimum)	1/4 in.	1/4 in.	1/4 in.	1/4 in.	1/4 in.
Flooring, minimum finished size (in.)	1/2 x 2 3/4	1/2 x 2 3/4	1/2 x 2 3/4	1/2 x 3/4	1/2 x 2 3/4

¹ A 1/8 x 7/8-in. steel reinforcing strip or its equivalent shall be attached to the side or underside full length.

² Rungs shall be 1-1/8-in. minimum, diameter with at least 7/8-in. diameter tenons, and the maximum spacing shall be 12 in. center to center.

(h) Stone setters' adjustable multiple-point suspension scaffolds.

(1) The scaffold shall be capable of sustaining a working load of 25 pounds per square foot and shall not be overloaded. Scaffolds shall not be used for storage of stone or other heavy materials.

(2) The hoisting machine and its supports shall be of a type tested and listed by a nationally recognized testing laboratory. Refer to §1910.399(a)(77) for definition of listed, and §1910.7 for nationally recognized testing laboratory.

(3) The platform shall be securely fastened to the hangers by U-bolts or other equivalent means.

(4) The scaffold unit shall be suspended from metal outriggers, iron brackets, wire rope slings, or iron hooks which will safely support the maximum intended load.

(5) Outriggers when used shall be set with their webs in a vertical position, securely anchored to the building or structure and provided with stop bolts at each end.

(6) The scaffold shall be supported by wire rope conforming with paragraph (a)(22) of this section, suspended from overhead supports.

SAFETY REQUIREMENTS FOR SCAFFOLDING

D

(7) The free ends of the suspension wire ropes shall be equipped with proper size thimbles, secured by splicing or other equivalent means. The running ends shall be securely attached to the hoisting drum and at least four turns of rope shall remain on the drum at all times.

(8) Guardrails not less than 2 by 4 inches or the equivalent and not less than 36 inches or more than 42 inches high, with a midrail, when required, of 1- by 4-inch lumber or equivalent, and toeboards, be installed at all open sides on all scaffolds more than 10 feet above the ground or floor. Toeboards shall be a minimum of 4 inches in height. Wire mesh shall be installed in accordance with paragraph (a)(17) of this section.

(9) When two or more scaffolds are used on a building or structure they shall not be bridged one to the other but shall be maintained at even height with platforms butting closely.

(10) Each scaffold shall be installed or relocated in accordance with designs and instructions of a registered professional engineer, and such installation or relocation shall be supervised by a competent designated person.

(i) Single-point adjustable suspension scaffolds.

(1) The scaffolding, including power units or manually operated winches, shall be a type tested and listed by a nationally recognized testing laboratory. Refer to §1910.399(a) (77) for definition of listed, and §1910.7 for nationally recognized testing laboratory.

(2) (Reserved)

(3) All power-operated gears and brakes shall be enclosed.

(4) In addition to the normal operating brake, all power driven units must have an emergency brake which engages automatically when the normal speed of descent is exceeded.

(5) Guards, midrails, and toeboards shall completely enclose the cage or basket. Guardrails shall be no less than 2 by 4 inches or the equivalent installed no less than 36 inches nor more than 42 inches above the platform. Midrails shall be 1 by 6 inches or the equivalent, installed equidistant between the guardrail and the platform. Toeboards shall be a minimum of 4 inches in height.

(6) The hoisting machines, cables, and equipment shall be regularly serviced and inspected after each installation and every 30 days thereafter.

(7) The units may be combined to form a two-point suspension scaffold. Such scaffold shall comply with paragraph (g) of this section.

(8) The supporting cable shall be straight for its entire length, and the operator shall not sway the basket and fix the cable to any intermediate points to change his original path of travel.

D

SAFETY REQUIREMENTS FOR SCAFFOLDING

Oregon Administrative Rules
Oregon Occupational Safety
and Health Division

(9) Equipment shall be maintained and used in accordance with the manufacturers' instructions.

(10) Suspension methods shall conform to applicable provisions of paragraphs (f) and (g) of this section.

(j) Boatswain's chairs.

(1) The chair seat shall be not less than 12 by 24 inches, and of 1-inch thickness. The seat shall be reinforced on the underside to prevent the board from splitting.

(2) The two fiber rope seat slings shall be of 5/8-inch diameter, reeved through the four seat holes so as to cross each other on the underside of the seat.

(3) Seat slings shall be of at least 3/8-inch wire rope when a worker is conducting a heat producing process such as gas or arc welding.

(4) The worker shall be protected by a safety life belt attached to a lifeline. The lifeline shall be securely attached to substantial members of the structure (not scaffold), or to securely rigged lines, which will safely suspend the worker in case of a fall.

(5) The tackle shall consist of correct size ball bearing or bushed blocks and properly spliced 5/8-inch diameter first-grade manila rope.

(6) The roof irons, hooks, or the object to which the tackle is anchored shall be securely installed. Tiebacks when used shall be installed at right angles to the face of the building and securely fastened to a chimney.

(k) Carpenters' bracket scaffolds.

(1) The brackets shall consist of a triangular wood frame not less than 2 by 3 inches in cross section, or of metal of equivalent strength. Each member shall be properly fitted and securely joined.

(2) Each bracket shall be attached to the structure by means of one of the following:

(i) A bolt no less than 5/8-inch in diameter which shall extend through the inside of the building wall.

(ii) A metal stud attachment device.

(iii) Welding to steel tanks.

(iv) Hooking over a well-secured and adequately strong supporting member.

The brackets shall be spaced no more than 10 feet apart.

SAFETY REQUIREMENTS FOR SCAFFOLDING

D

(3) No more than two persons shall occupy any given 10 feet of a bracket scaffold at any one time. Tools and materials shall not exceed 75 pounds in addition to the occupancy.

(4) The platform shall consist of not less than two 2- by 9-inch nominal size planks extending not more than 18 inches or less than 6 inches beyond each end support.

(5) Guardrails not less than 2 by 4 inches or the equivalent and not less than 36 inches or more than 42 inches high, with a midrail, when required, of 1- by 4-inch lumber or equivalent, and toeboards, shall be installed at all open sides on all scaffolds more than 10 feet above the ground or floor. Toeboards shall be a minimum of 4 inches in height. Wire mesh shall be installed in accordance with paragraph (a)(17) of this section.

(I) Bricklayers' square scaffolds.

(1) The squares shall not exceed 5 feet in width and 5 feet in height.

(2) Members shall be not less than those specified in Table D-18.

Table D-18 – Minimum Dimensions for Bricklayers' Square Scaffold Members

Members	Dimensions (inches)
Bearers or horizontal members	2 by 6
Legs	2 by 6
Braces at corners	1 by 6
Braces diagonally from center frame	1 by 8

(3) The squares shall be reinforced on both sides of each corner with 1- by 6-inch gusset pieces. They shall also have braces 1 by 8 inches on both sides running from center to center of each member, or other means to secure equivalent strength and rigidity.

(4) The squares shall be set not more than 5 feet apart for medium duty scaffolds, and not more than 8 feet apart for light duty scaffolds. Bracing 1 x 8 inches, extending from the bottom of each square to the top of the next square, shall be provided on both front and rear sides of the scaffold.

(5) Platform planks shall be at least 2- by 9-inch nominal size. The ends of the planks shall overlap the bearers of the squares and each plank shall be supported by not less than three squares.

(6) Bricklayers' square scaffolds shall not exceed three tiers in height and shall be so constructed and arranged that one square shall rest directly above the other. The upper tiers shall stand on a continuous row of planks laid across the next lower tier and be nailed down or otherwise secured to prevent displacement.

(7) Scaffolds shall be level and set upon a firm foundation.

D

SAFETY REQUIREMENTS FOR SCAFFOLDING

(m) Horse scaffolds.

(1) Horse scaffolds shall not be constructed or arranged more than two tiers or 10 feet in height.

(2) The members of the horses shall be not less than those specified in Table D-19.

Table D-19 – Minimum Dimensions for Horse Scaffold Members

Members	Dimensions (inches)
Horizontal members or bearers	3 by 4
Legs	1 1/4 by 4 1/2
Longitudinal brace between legs	1 by 6
Gusset brace at top of legs	1 by 8
Half diagonal braces	1 1/4 by 4 1/2

(3) Horses shall be spaced not more than 5 feet for medium duty and not more than 8 feet for light duty.

(4) When arranged in tiers, each horse shall be placed directly over the horse in the tier below.

(5) On all scaffolds arranged in tiers, the legs shall be nailed down to the planks to prevent displacement or thrust and each tier shall be substantially cross braced.

(6) Horses or parts which have become weak or defective shall not be used.

(7) Guardrails not less than 2 by 4 inches or the equivalent and not less than 36 inches or more than 42 inches high with a midrail, when required, of 1- by 4-inch lumber or equivalent and toeboards, shall be installed at all open sides on all scaffolds more than 10 feet above the ground or floor. Toeboards shall be a minimum of 4 inches in height. Wire mesh shall be installed in accordance with paragraph (a)(17) of this section.

(n) Needle beam scaffold.

(1) Wood needle beams shall be in accordance with paragraph (a)(5) and (9) of this section, and shall be not less than 4 by 6 inches in size, with the greater dimension placed in a vertical direction. Metal beams or the equivalent conforming to paragraph (a)(4) and (8) of this section may be used.

(2) Ropes or hangers shall be provided for supports. The span between supports on the needle beam shall not exceed 10 feet for 4- by 6-inch timbers. Rope supports shall be equivalent in strength to 1-inch diameter first-grade manila rope.

(3) The ropes shall be attached to the needle beams by a scaffold hitch or a properly made eye splice. The loose end of the rope shall be tied by a bowline knot or by a round turn and one-half hitch.

SAFETY REQUIREMENTS FOR SCAFFOLDING

D

(4) The platform span between the needle beams shall not exceed 8 feet when using 2-inch scaffold plank. For spans greater than 8 feet, platforms shall be designed based on design requirements for the special span. The overhang of each end of the platform planks shall be not less than 1-foot and not more than 18 inches.

(5) When one needle beam is higher than the other or when the platform is not level the platform shall be secured against slipping.

(6) All unattached tools, bolts, and nuts used on needle beam scaffolds shall be kept in suitable containers.

(7) One end of a needle beam scaffold may be supported by a permanent structural member conforming to paragraphs (a)(4) and (8) of this section.

(8) Each person working on a needle beam scaffold 20 feet or more above the ground or floor and working with both hands, shall be protected by a safety life belt attached to a lifeline. The lifeline shall be securely attached to substantial members of the structure (not scaffold), or to securely rigged lines, which will safely suspend the worker in case of a fall.

(o) Plasterers', decorators', and large area scaffolds.

(1) Plasterers', decorators', lathers', and ceiling workers' inside scaffolds shall be constructed in accordance with the general requirements set forth for independent wood pole scaffolds.

(2) Guardrails not less than 2 by 4 inches or the equivalent and not less than 36 inches or more than 42 inches high, with a midrail, when required, of 1- by 4-inch lumber or equivalent, and toeboards, shall be installed at all open sides on all scaffolds more than 10 feet above the ground or floor. Toeboards shall be a minimum of 4 inches in height. Wire mesh shall be installed in accordance with paragraph (a)(17) of this section.

(3) All platform planks shall be laid with the edges close together.

(4) When independent pole scaffold platforms are erected in sections, such sections shall be provided with connecting runways equipped with substantial guardrails.

(p) Interior hung scaffolds.

(1) (Reserved)

(2) The suspended steel wire rope shall conform to paragraph (a)(22) of this section. Wire may be used providing the strength requirements of paragraph (a)(22) of this section are met.

(3) For hanging wood scaffolds, the following minimum nominal size material is recommended:

D

SAFETY REQUIREMENTS FOR SCAFFOLDING

(i) Supporting bearers 2 by 9 inches on edge.

(ii) Planking 2 by 9 inches or 2 by 10 inches, with maximum span 7 feet for heavy duty and 10 feet for light duty or medium duty.

(4) Steel tube and coupler members may be used for hanging scaffolds with both types of scaffold designed to sustain a uniform distributed working load up to heavy duty scaffold loads with a safety factor of four.

(5) When a hanging scaffold is supported by means of wire rope, such wire rope shall be wrapped at least twice around the supporting members and twice around the bearers of the scaffold, with each end of the wire rope secured by at least three standard wire-rope clips.

(6) All overhead supporting members shall be inspected and checked for strength before the scaffold is erected.

(7) Guardrails not less than 2 by 4 inches or the equivalent and not less than 36 inches or more than 42 inches high, with a midrail, when required, of 1- by 4-inch lumber or equivalent, and toeboards, shall be installed at all open sides on all scaffolds more than 10 feet above the ground or floor. Toeboards shall be a minimum of 4 inches in height. Wire mesh shall be installed in accordance with paragraph (a)(17) of this section.

(q) Ladder-jack scaffolds.

(1) All ladder-jack scaffolds shall be limited to light duty and shall not exceed a height of 20 feet above the floor or ground.

(2) All ladders used in connection with ladder-jack scaffolds shall be heavy-duty ladders and shall be designed and constructed in accordance with §1910.25 and §1910.26.

(3) The ladder jack shall be so designed and constructed that it will bear on the side rails in addition to the ladder rungs, or if bearing on rungs only, the bearing area shall be at least 10 inches on each rung.

(4) Ladders used in conjunction with ladder jacks shall be so placed, fastened, held, or equipped with devices so as to prevent slipping.

(5) The wood platform planks shall be not less than 2 inches nominal in thickness. Both metal and wood platform planks shall overlap the bearing surface not less than 12 inches. The span between supports for wood shall not exceed 8 feet. Platform width shall be not less than 18 inches.

(6) Not more than two persons shall occupy any given 8 feet of any ladder-jack scaffold at any one time.

SAFETY REQUIREMENTS FOR SCAFFOLDING

D

(r) Window-jack scaffolds.

- (1)** Window-jack scaffolds shall be used only for the purpose of working at the window opening through which the jack is placed.
- (2)** Window jacks shall not be used to support planks placed between one window jack and another or for other elements of scaffolding.
- (3)** Window-jack scaffolds shall be provided with suitable guardrails unless safety belts with lifelines are attached and provided for the worker. Window-jack scaffolds shall be used by one man only.

(s) Roofing brackets.

- (1)** Roofing brackets shall be constructed to fit the pitch of the roof.
- (2)** Brackets shall be secured in place by nailing in addition to the pointed metal projections. The nails shall be driven full length into the roof. When rope supports are used, they shall consist of first-grade manila of at least 3/4-inch diameter, or equivalent.
- (3)** A substantial catch platform shall be installed below the working area of roofs more than 20 feet from the ground to eaves with a slope greater than 3 inches in 12 inches without a parapet. In width the platform shall extend 2 feet beyond the projection of the eaves and shall be provided with a safety rail, midrail, and toeboard. This provision shall not apply where employees engaged in work upon such roofs are protected by a safety belt attached to a lifeline.

(t) Crawling boards or chicken ladders.

- (1)** Crawling boards shall be not less than 10 inches wide and 1-inch thick, having cleats 1 x 1 1/2 inches. The cleats shall be equal in length to the width of the board and spaced at equal intervals not to exceed 24 inches. Nails shall be driven through and clinched on the underside. The crawling board shall extend from the ridge pole to the eaves when used in connection with roof construction, repair, or maintenance.
- (2)** A firmly fastened lifeline of at least 3/4-inch rope shall be strung beside each crawling board for a handhold.
- (3)** Crawling boards shall be secured to the roof by means of adequate ridge hooks or equivalent effective means.

(u) Float or ship scaffolds.

- (1)** Float or ship scaffolds shall support not more than three workers and a few light tools, such as those needed for riveting, bolting, and welding. They shall be constructed in accordance with paragraphs (u)(2) through (6) of this section, unless substitute designs and materials provide equivalent strength, stability, and safety.

D

SAFETY REQUIREMENTS FOR SCAFFOLDING

Oregon Administrative Rules
Oregon Occupational Safety
and Health Division

(2) The platform shall be not less than 3 feet wide and 6 feet long, made of 3/4-inch plywood, equivalent to American Plywood Association Grade B-B, Group I, Exterior.

(3) Under the platform, there shall be two supporting bearers made from 2- x 4-inch, or 1- x 10-inch rough, selected lumber, or better. They shall be free of knots or other flaws and project 6 inches beyond the platform on both sides. The ends of the platform shall extend about 6 inches beyond the outer edges of the bearers. Each bearer shall be securely fastened to the platform.

(4) An edging of wood not less than 3/4 x 1 1/2 inches, or equivalent, shall be placed around all sides of the platform to prevent tools from rolling off.

(5) Supporting ropes shall be 1-inch diameter manila rope or equivalent, free from deterioration, chemical damage, flaws, or other imperfections. Rope connections shall be such that the platform cannot shift or slip. If two ropes are used with each float, each of the two supporting ropes shall be hitched around one end of a bearer and pass under the platforms to the other end of the bearer where it is hitched again, leaving sufficient rope at each end for the supporting ties.

(6) Each worker shall be protected by a safety lifebelt attached to a lifeline. The lifeline shall be securely attached to substantial members of the structure (not scaffold), or to securely rigged lines, which will safely suspend the worker in case of a fall.

(v) Scope. This section establishes safety requirements for the construction, operation, maintenance, and use of scaffolds used in the maintenance of buildings and structures.

(39 FR 23502, June 27, 1974, as amended at 43 FR 49746, Oct. 24, 1978; 49 FR 5321, Feb. 10, 1984)

Stat. Auth.: ORS 654.025(2) and 656.726(3).

Hist: OR-OSHA Admin. Order 4-1990, f. 1/23/90, ef. 1/23/90.

Manually Propelled Mobile Ladder Stands and Scaffolds (Towers) **D**

§1910.29 Manually Propelled Mobile Ladder Stands and Scaffolds (Towers).

(a) General requirements.

(1) Application. This section is intended to prescribe rules and requirements for the design, construction, and use of mobile work platforms (including ladder stands but not including aerial ladders) and rolling (mobile) scaffolds (towers). This standard is promulgated to aid in providing for the safety of life, limb, and property, by establishing minimum standards for structural design requirements and for the use of mobile work platforms and towers.

(2) Working loads.

(i) Work platforms and scaffolds shall be capable of carrying the design load under varying circumstances depending upon the conditions of use. Therefore, all parts and appurtenances necessary for their safe and efficient utilization must be integral parts of the design.

(ii) Specific design and construction requirements are not a part of this section because of the wide variety of materials and design possibilities. However, the design shall be such as to produce a mobile ladder stand or scaffold that will safely sustain the specified loads. The material selected shall be of sufficient strength to meet the test requirements and shall be protected against corrosion or deterioration.

(A) The design working load of ladder stands shall be calculated on the basis of one or more 200-pound persons together with 50 pounds of equipment each.

(B) The design load of all scaffolds shall be calculated on the basis of:

Light – Designed and constructed to carry a working load of 25 pounds per square foot.

Medium – Designed and constructed to carry a working load of 50 pounds per square foot.

Heavy – Designed and constructed to carry a working load of 75 pounds per square foot.

All ladder stands and scaffolds shall be capable of supporting at least four times the design working load.

(iii) The materials used in mobile ladder stands and scaffolds shall be of standard manufacture and conform to standard specifications of strength, dimensions, and weights, and shall be selected to safely support the design working load.

D

Manually Propelled Mobile Ladder Stands and Scaffolds (Towers)

Oregon Administrative Rules
Oregon Occupational Safety
and Health Division

(iv) Nails, bolts, or other fasteners used in the construction of ladders, scaffolds, and towers shall be of adequate size and in sufficient numbers at each connection to develop the designed strength of the unit. Nails shall be driven full length. (All nails should be immediately withdrawn from dismantled lumber.)

(v) All exposed surfaces shall be free from sharp edges, burrs or other safety hazards.

(3) Work levels.

(i) The maximum work level height shall not exceed four times the minimum or least base dimensions of any mobile ladder stand or scaffold. Where the basic mobile unit does not meet this requirement, suitable outrigger frames shall be employed to achieve this least base dimension, or provisions shall be made to guy or brace the unit against tipping.

(ii) The minimum platform width for any work level shall not be less than 20 inches for mobile scaffolds (towers). Ladder stands shall have a minimum step width of 16 inches.

(iii) The supporting structure for the work level shall be rigidly braced, using adequate cross bracing or diagonal bracing with rigid platforms at each work level.

(iv) The steps of ladder stands shall be fabricated from slip resistant treads.

(v) The work level platform of scaffolds (towers) shall be of wood, aluminum, or plywood planking, steel or expanded metal, for the full width of the scaffold, except for necessary openings. Work platforms shall be secured in place. All planking shall be 2-inch (nominal) scaffold grade minimum 1,500 *f.* (stress grade) construction grade lumber or equivalent.

(vi) All scaffold work levels 10 feet or higher above the ground or floor shall have a standard (4-inch nominal) toeboard.

(vii) All work levels 10 feet or higher above the ground or floor shall have a guard-rail of 2- by 4-inch nominal or the equivalent installed no less than 36 inches or more than 42 inches high, with a midrail, when required, of 1- by 4-inch nominal lumber or equivalent.

(viii) A climbing ladder or stairway shall be provided for proper access and egress, and shall be affixed or built into the scaffold and so located that its use will not have a tendency to tip the scaffold. A landing platform shall be provided at intervals not to exceed 30 feet.

Manually Propelled Mobile Ladder Stands and Scaffolds (Towers) **D**

(4) Wheels or casters.

(i) Wheels or casters shall be properly designed for strength and dimensions to support four times the design working load.

(ii) All scaffold casters shall be provided with a positive wheel and/or swivel lock to prevent movement. Ladder stands shall have at least two of the four casters and shall be of the swivel type.

(iii) Where leveling of the elevated work platform is required, screw jacks or other suitable means for adjusting the height shall be provided in the base section of each mobile unit.

(b) Mobile tubular welded frame scaffolds.

(1) General. Units shall be designed to comply with the requirements of paragraph (a) of this section.

(2) Bracing. Scaffolds shall be properly braced by cross braces and/or diagonal braces for securing vertical members together laterally. The cross braces shall be of a length that will automatically square and align vertical members so the erected scaffold is always plumb, square, and rigid.

(3) Spacing. Spacing of panels or frames shall be consistent with the loads imposed. The frames shall be placed one on top of the other with coupling or stacking pins to provide proper vertical alignment of the legs.

(4) Locking. Where uplift may occur, panels shall be locked together vertically by pins or other equivalent means.

(5) Erection. Only the manufacturer of a scaffold or his qualified designated agent shall be permitted to erect or supervise the erection of scaffolds exceeding 50 feet in height above the base, unless such structure is approved in writing by a registered professional engineer, or erected in accordance with instructions furnished by the manufacturer.

(c) Mobile tubular welded sectional folding scaffolds.

(1) General. Units including sectional stairway and sectional ladder scaffolds shall be designed to comply with the requirements of paragraph (a) of this section.

(2) Stairway. An integral stairway and work platform shall be incorporated into the structure of each sectional folding stairway scaffold.

(3) Bracing. An integral set of pivoting and hinged folding diagonal and horizontal braces and a detachable work platform shall be incorporated into the structure of each sectional folding ladder scaffold.

D Manually Propelled Mobile Ladder Stands and Scaffolds (Towers)

(4) Sectional folding stairway scaffolds. Sectional folding stairway scaffolds shall be designed as medium duty scaffolds except for high clearance. These special base sections shall be designed as light duty scaffolds. When upper sectional folding stairway scaffolds are used with a special high clearance base, the load capacity of the entire scaffold shall be reduced accordingly. The width of a sectional folding stairway scaffold shall not exceed 4 1/2 feet. The maximum length of a sectional folding stairway scaffold shall not exceed 6 feet.

(5) Sectional folding ladder scaffolds. Sectional folding ladder scaffolds shall be designed as light duty scaffolds including special base (open end) sections which are designed for high clearance. For certain special applications the 6-foot folding ladder scaffolds, except for special high clearance base sections, shall be designed for use as medium duty scaffolds. The width of a sectional folding ladder scaffold shall not exceed 4 1/2 feet. The maximum length of a sectional folding ladder scaffold shall not exceed 6 feet 6 inches for a 6-foot long unit, 8 feet 6 inches for an 8-foot unit or 10 feet 6 inches for a 10-foot long unit.

(6) End frames. The end frames of sectional ladder and stairway scaffolds shall be designed so that the horizontal bearers provide supports for multiple planking levels.

(7) Erection. Only the manufacturer of the scaffold or his qualified designated agent shall be permitted to erect or supervise the erection of scaffolds exceeding 50 feet in height above the base, unless such structure is approved in writing by a licensed professional engineer, or erected in accordance with instructions furnished by the manufacturer.

(d) Mobile tube and coupler scaffolds.

(1) Design. Units shall be designed to comply with the applicable requirements of paragraph (a) of this section.

(2) Material. The material used for the couplers shall be of a structural type, such as a drop-forged steel, malleable iron or structural grade aluminum. The use of gray cast iron is prohibited.

(3) Erection. Only the manufacturer of the scaffold or his qualified designated agent shall be permitted to erect or supervise the erection of scaffolds exceeding 50 feet in height above the base, unless such structure is approved in writing by a licensed professional engineer, or erected in accordance with instructions furnished by the manufacturer.

(e) Mobile work platforms.

(1) Design. Units shall be designed for the use intended and shall comply with the requirements of paragraph (a) of this section.

(2) Base width. The minimum width of the base of mobile work platforms shall not be less than 20 inches.

(3) Bracing. Adequate rigid diagonal bracing to vertical members shall be provided.

Manually Propelled Mobile Ladder Stands and Scaffolds (Towers) **D**

(f) Mobile ladder stands.

(1) Design. Units shall comply with applicable requirements of paragraph (a) of this section.

(2) Base width. The minimum base width shall conform to paragraph (a)(3)(i) of this section. The maximum length of the base section shall be the total length of combined steps and top assembly, measured horizontally, plus 5/8-inch per step of rise.

(3) Steps. Steps shall be uniformly spaced, and sloped, with a rise of not less than 9 inches, nor more than 10 inches, and a depth of not less 7 inches. The slope of the steps section shall be a minimum of 55 degrees and a maximum of 60 degrees measured from the horizontal.

(4) Handrails.

(i) Units having more than five steps or 60 inches vertical height to the top step shall be equipped with handrails.

(ii) Handrails shall be a minimum of 29 inches high. Measurements shall be taken vertically from the center of the step.

(5) Loading. The load (see paragraph (a)(2)(ii)(a) of this section) shall be applied uniformly to a 3 1/2 inches wide area front to back at the center of the width span with a safety factor of four.

Stat. Auth.: ORS 654.025(2) and 656.726(3).
Hist: OR-OSHA Admin. Order 4-1990, f. 1/23/90, ef. 1/23/90.

D

OTHER WORKING SURFACES / FLOORS / PROVISIONS FOR WINDOW CLEANERS

D

§1910.30 Other Working Surfaces.

437-002-0030 Floors.

(1) Floors, floor supports, and required appurtenances shall be well maintained and kept in good repair. Defects should be remedied as soon as observed. Unless repaired immediately, hazardous floor openings and holes shall be fenced off or otherwise suitably guarded, and shall remain fenced off or guarded until properly repaired.

(2) Floors subject to slipping hazards due to conditions or processes of an operation or materials to which they will be exposed shall be of material and/or design which will effectively control slippery conditions.

Stat. Auth.: ORS 654.025(2) and 656.726(3).
Hist: OR-OSHA Admin. Order 4-1990, f. 1/23/90, ef. 1/23/90.
OR-OSHA Admin. Order 6-1994, f. 9/30/94, ef. 9/30/94.

437-002-0031 Provisions for Window Cleaners.

(1) Every window so constructed that a worker must stand on the outside sill or ledge to clean the window and having a sill more than 10 feet above the ground or adjoining surface, shall have a sill at least 6 inches wide with a slope not greater than one to six, and shall have securely fastened at each side of the window, at a height not less than 42 inches or more than 51 inches, a safety anchorage to which may be fastened a window cleaner's safety belt. Such anchorage shall be of a metal having a corrosion resistance of 60 percent as compared to copper. The anchor shall be machined from bar stock or forged and heat-treated, and shall be capable of supporting a pull of 6,000 pounds without fracture applied in the direction which the anchor must withstand in service should a person fall.

(2) Anchor clearance shall be not less than 1-inch at either side and not less than 5 inches above or below the anchor.

(3) All anchors and anchor fastenings shall be provided with means to prevent them from turning, backing off or becoming loose.

(4) Anchor fittings having a single threaded section which is merely screwed into reinforcing plates are prohibited.

(5) Following are acceptable methods of installing anchors in various types of construction. Other methods, excepting those specifically prohibited, may be permitted, provided that they furnish at least the equivalent strength and safety:

(a) In wood construction, two through bolts of not less than 3/8-inch diameter shall pass through the entire window frame or mullion to secure each anchor, securely fastened by a washer and nut, the ends of bolts upset to prevent the nuts from loosening or being removed. The use of lag screws is specifically prohibited.

D

PROVISIONS FOR WINDOW CLEANERS

(b) In hollow metal frame construction, the anchor shall be attached by two 3/8-inch diameter bolts which shall pass through the face of the frame and through a 3/8-inch thick steel back-up plate, 3/4-inch wide extending from 5 inches above the upper bolt to 2 inches below the lower one. Bolts shall be secured by means of nuts and lock washers or equivalent means. If impractical to provide nuts and lock washers, the reinforcing plate may be tapped to receive the 3/8-inch bolts, which must pass completely through the plate and be secured with lock washers. If the threaded bolt is an integral part of the anchor, it shall be at least 1/2-inch in diameter and be secured by a nut and lock washer or equivalent means. All screws or bolts used shall have the threads terminate far enough from the head to prevent weakening due to undercutting.

In either solid or hollow aluminum frames, the reinforcing plate and bolts shall be heavily coated with a bituminous paint, and a plastic gasket shall be placed between the anchor and the aluminum metal as a means of preventing electrolytic action between unlike metals; or another acceptable means which will prevent such action may be used.

(c) In solid metal frame construction, anchors shall be attached by two 3/8-inch diameter bolts passed through the frame and secured by nuts and washers on the inside, ends of bolts upset. When this method cannot be used, it will be permissible to drill and tap the metal frame to a depth of at least 3/8-inch and install the anchor with at least two 3/8-inch screws, which shall have the threads terminate far enough from the head to prevent weakening due to undercutting. If the threaded bolt is an integral part of the anchor, it shall be at least 1/2-inch in diameter and be secured by a nut and lock washer, or equivalent means.

(d) In masonry construction, the anchor shall be either a single bolt at least 1/2-inch in diameter, or two 3/8-inch diameter bolts. Such bolt or bolts shall have a head on the inner end and shall be imbedded not less than 8 inches in solid masonry, or extend through the wall or mullion and be secured by a nut and lock washer or equivalent means. The use of masonry anchors consisting of flat metal embedded in mortar joints between brick or concrete blocks or stone is prohibited in new or existing buildings.

(6) *Where sills are less than 6 inches wide, auxiliary or portable sills or other means providing equivalent safety may be permitted.*

(7) *Window cleaners' anchorages shall be inspected regularly and any defects found shall be remedied before workers are permitted to use them.*

(8) *For buildings constructed, remodeled or renovated on or after the adoption date of this rule the provisions of ANSI/ASME A39.1-1987 shall apply.*

Stat. Auth.: ORS 654.025(2) and 656.726(3).

Hist: OR-OSHA Admin. Order 4-1990, f. 1/23/90, ef. 1/23/90.

RAMPS & RUNWAYS / PIERS & WHARVES / OTHER WORKING SURFACES

D

437-002-0032 Ramps and Runways.

(1) Ramps and runways shall be substantially constructed, and shall be maintained in safe condition.

(2) Ramps and runways for vehicles shall have adequate width and evenness for safe operation of equipment and they shall be provided with timber guards of not less than nominal 6-inch by 6-inch material set on nominal 3-inch blocks, or the equivalent, placed parallel to and secured to the sides of the ramp or runway.

Stat. Auth.: ORS 654.025(2) and 656.726(3).

Hist: OR-OSHA Admin. Order 4-1990, f. 1/23/90, ef. 1/23/90.

437-002-0033 Piers and Wharves.

(1) Open sides of piers and wharves, more than 4 feet above ground or water level, shall be provided with a shear or guard timber (bull rail) of not less than 6-inch by 6-inch wood material set on nominal 3-inch blocking, or material of equal strength and of minimum height securely attached. Except for areas where vessels' mooring lines are handled, the open sides not used for loading or unloading purposes shall be provided with standard handrails in addition to shear timbers.

(2) Ladders or other means of access reaching from low water mark to the dock floor shall be provided for each 400 feet or portion thereof of the water side of all wharves and piers. Where portable ladders are used, a secure method of fastening them shall be provided.

Stat. Auth.: ORS 654.025(2) and 656.726(3).

Hist: OR-OSHA Admin. Order 4-1990, f. 1/23/90, ef. 1/23/90.

(a) Dockboards (bridge plates).

(1) Portable and powered dockboards shall be strong enough to carry the load imposed on them.

(2) Portable dockboards shall be secured in position, either by being anchored or equipped with devices which will prevent their slipping.

(3) Powered dockboards shall be designed and constructed in accordance with Commercial Standard CS202-56 (1961) "Industrial Lifts and Hinged Loading Ramps" published by the U.S. Department of Commerce, which is incorporated by reference as specified in §1910.6.

(4) Handholds, or other effective means, shall be provided on portable dockboards to permit safe handling.

(5) Positive protection shall be provided to prevent railroad cars from being moved while dockboards or bridge plates are in position.

D OTHER WORKING SURFACES

(b) Forging machine area.

(1) Machines shall be so located as to give (i) enough clearance between machines so that the movement of one operator will not interfere with the work of another, (ii) ample room for cleaning machines and handling the work, including material and scrap. The arrangement of machines shall be such that operators will not stand in aisles.

(2) Aisles shall be provided of sufficient width to permit the free movement of employees bringing and removing material. This aisle space is to be independent of working and storage space.

(3) Wood platforms used on the floor in front of machines shall be substantially constructed.

(c) Veneer machinery.

(1) Sides of steam vats shall extend to a height of not less than 36 inches above the floor, working platform, or ground.

(2) Large steam vats divided into sections shall be provided with substantial walkways between sections. Each walkway shall be provided with a standard handrail on each exposed side. These handrails may be removable, if necessary.

(3) Covers shall be removed only from that portion of steaming vats on which persons are working and a portable railing shall be placed at this point to protect the operators.

(4) Workers shall not ride or step on logs in steam vats.

(39 FR 23502, June 27, 1974, as amended at 49 FR 5322, Feb. 10, 1984)

Stat. Auth.: ORS 654.025(2) and 656.726(3).

Stats. Implemented: ORS 654.001 through 654.295.

Hist: OR-OSHA Admin. Order 4-1990, f. 1/23/90, ef. 1/23/90.

OR-OSHA Admin. Order 4-1997, f. 4/2/97, ef. 4/2/97.

– END OF DOCUMENT –